

# SS.DSR

## STAINLESS STEEL DOUBLE SWIVEL RING

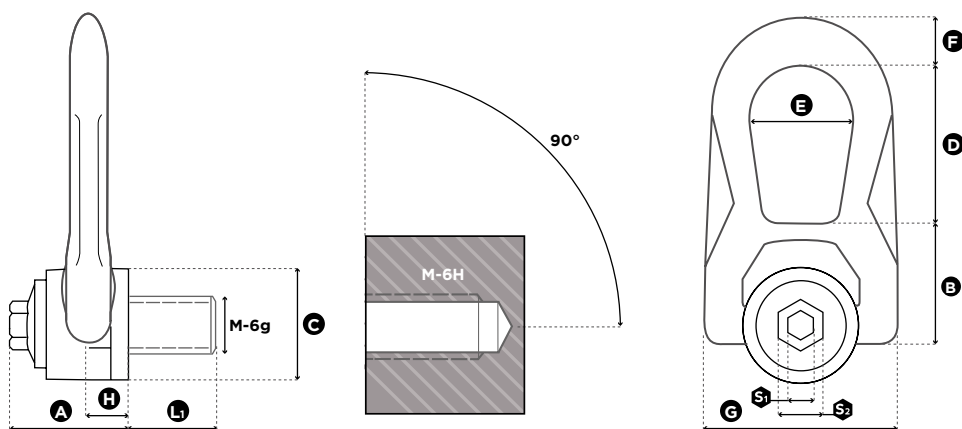
METRIC THREADS



Oficiální prodejce:

**PAVLÍNEK**  
VÁZACÍ PROSTŘEDKY

Šalounova 746/31  
703 00 Ostrava - Vítkovice  
www.pavlinek.cz  
Tel: +420 595 693 911  
Fax: +420 595 693 958  
E-mail: obchod@pavlinek.cz



1 in = 25.4 mm

| Reference   | Diameter     | SF 5:1<br>WLL<br>(t) | SF 4:1<br>WLL<br>(t) | Standard<br>L1<br>(mm) | Torque<br>(Nm) | S <sub>1</sub><br>(mm) | S <sub>2</sub><br>(mm) | A<br>(mm) | B<br>(mm) | C<br>(mm) | D<br>(mm) | E<br>(mm) | F<br>(mm) | G<br>(mm) | H<br>(mm) | Weight<br>(kg) |
|-------------|--------------|----------------------|----------------------|------------------------|----------------|------------------------|------------------------|-----------|-----------|-----------|-----------|-----------|-----------|-----------|-----------|----------------|
| SS.DSR M 6  | M 6 (x1)     | 0,10                 | 0,15                 | 15                     | 4              | 8                      | 16                     | 32        | 30        | 30        | 39        | 28        | 13        | 53        | 9,5       | 0,3            |
| SS.DSR M 8  | M 8 (x1,25)  | 0,30                 | 0,30                 | 16                     | 6              | 8                      | 16                     | 32        | 30        | 30        | 39        | 28        | 13        | 53        | 9,5       | 0,3            |
| SS.DSR M 10 | M 10 (x1,50) | 0,50                 | 0,50                 | 16                     | 10             | 8                      | 16                     | 32        | 30        | 30        | 39        | 28        | 13        | 53        | 9,5       | 0,3            |
| SS.DSR M 12 | M 12 (x1,75) | 0,80                 | 0,80                 | 19                     | 15             | 8                      | 16                     | 32        | 30        | 30        | 39        | 28        | 13        | 53        | 9,5       | 0,3            |
| SS.DSR M 14 | M 14 (x2)    | 1,00                 | 1,00                 | 29                     | 30             | 8                      | 20                     | 44        | 40        | 45        | 53        | 38        | 17        | 76        | 13        | 0,9            |
| SS.DSR M 16 | M 16 (x2)    | 1,40                 | 1,50                 | 26                     | 50             | 8                      | 20                     | 44        | 40        | 45        | 53        | 38        | 17        | 76        | 13        | 0,9            |
| SS.DSR M 18 | M 18 (x2,5)  | 1,40                 | 1,50                 | 30                     | 70             | 8                      | 20                     | 44        | 40        | 45        | 53        | 38        | 17        | 76        | 13        | 1,0            |
| SS.DSR M 20 | M 20 (x2,5)  | 1,40                 | 1,60                 | 30                     | 100            | 8                      | 20                     | 44        | 40        | 45        | 53        | 38        | 17        | 76        | 13        | 1,0            |
| SS.DSR M 22 | M 22 (x2,5)  | 2,20                 | 2,20                 | 42                     | 120            | 14                     | 24                     | 62        | 55        | 58        | 83        | 56        | 25        | 115       | 19        | 2,5            |
| SS.DSR M 24 | M 24 (x3)    | 2,70                 | 2,70                 | 42                     | 160            | 14                     | 24                     | 62        | 55        | 58        | 83        | 56        | 25        | 115       | 19        | 2,6            |
| SS.DSR M 27 | M 27 (x3)    | 2,80                 | 2,90                 | 42                     | 200            | 14                     | 24                     | 62        | 55        | 58        | 83        | 56        | 25        | 115       | 19        | 2,7            |
| SS.DSR M 30 | M 30 (x3,5)  | 3,00                 | 3,50                 | 47                     | 250            | 14                     | 24                     | 62        | 55        | 58        | 83        | 56        | 25        | 115       | 19        | 2,8            |