

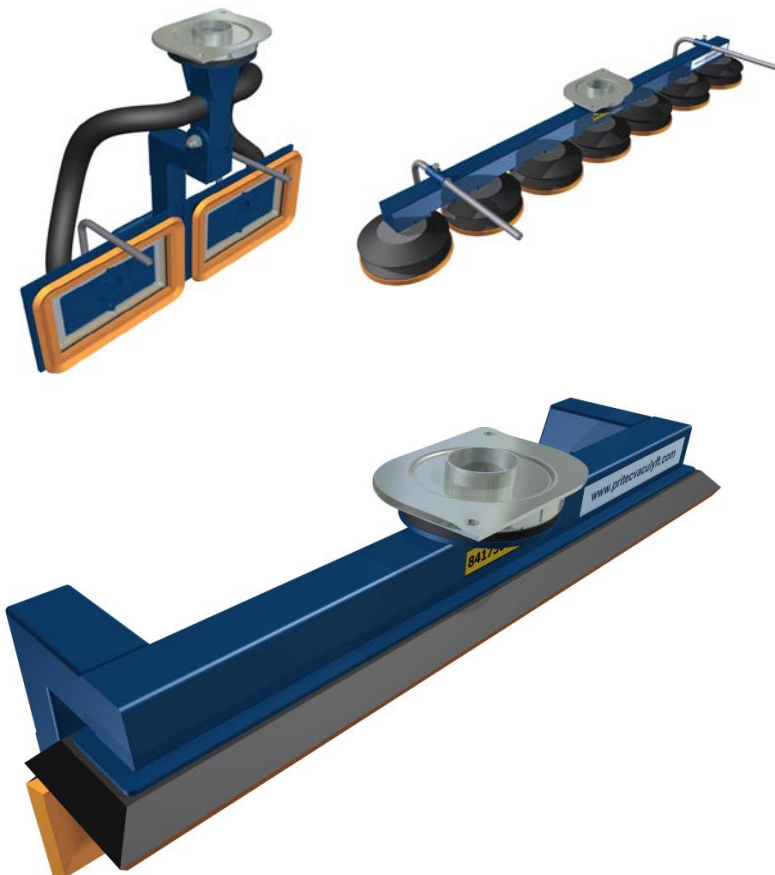


**PAVLÍNEK**<sup>®</sup>  
VÁZACÍ PROSTŘEDKY

EMAIL: [OBCHOD@PAVLINEK.CZ](mailto:OBCHOD@PAVLINEK.CZ)  
TEL: +420 595 693 911  
ŠALOUNOVA 746/31, OSTRAVA VÍTKOVICE  
IČ: 25358511 DIČ: CZ25358511

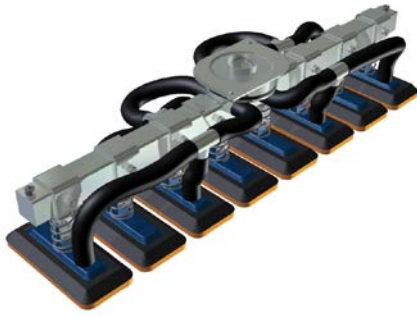


## Special tools and accessories for Vaculyft Machines



Pritec Vaculyft AB  
Fjärås Industriväg 9  
439 74 FJÄRÅS  
Sweden

Tel: +46 300- 543 543  
Email: [info@pritecvaculyft.com](mailto:info@pritecvaculyft.com)  
[www.pritecvaculyft.com](http://www.pritecvaculyft.com)



### 841750-001

9,5x20cm 8pc Adjustable

Lift tube Ø (mm)	140	160	180	200	250
	X	X	X	X	X



### 841750-002

15x21cm 5pc Adjustable

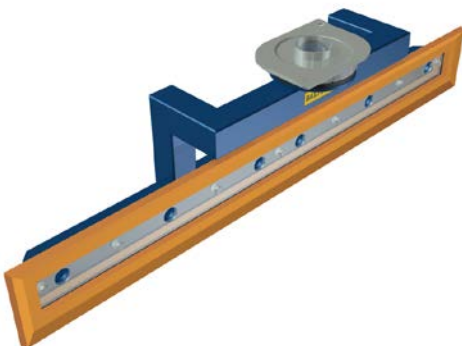
Lift tube Ø (mm)	140	160	180	200	250
	X	X	X	X	X



### 841750-003

12x32cm 2pc Tilt function (angle adapter)

Lift tube Ø (mm)	140	160	180	200	250
	X	X	X	X	



### 841750-004

11,5x88cm Kerbstone side lift

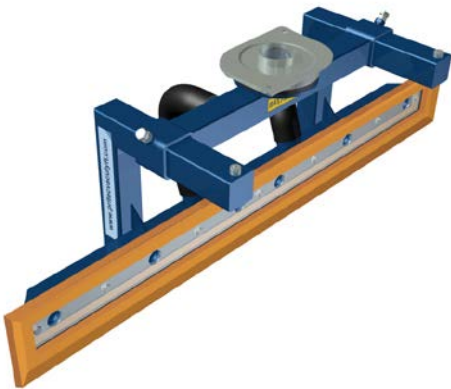
Lift tube Ø (mm)	140	160	180	200	250
	X	X	X	X	



## 841750-005

10x64cm 2pc Kerbstone angle 80°

Lift tube Ø (mm)	140	160	180	200	250
	X	X	X	X	



## 841750-006

11,5x89cm Side lift kerbstone Uranos adjustable center of gravity

Lift tube Ø (mm)	140	160	180	200	250
	X	X	X	X	

## 841750-008

Adapter Probst

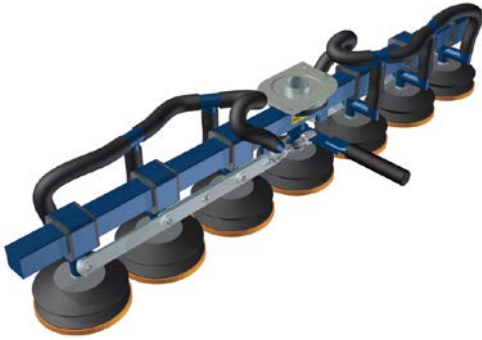


## 841750-011

Adjustable Rinnen stein



Lift tube Ø (mm)	140	160	180	200	250
	X	X	X	X	X



### 841750-015

Multi for Rinnen stein adjustable spacing  
 Ø150 x7pc, Ø150 x 5pc

Lift tube Ø (mm)	140	160	180	200	250
	X	X	X	X	X

### 841750-016

20x40cm Side lift block stone



Lift tube Ø (mm)	140	160	180	200	250
	X	X	X	X	

### 841750-017

20x40cm Tilt funktion side lift block stone



Lift tube Ø (mm)	140	160	180	200	250
	X	X	X	X	

### 841750-018

12x92cm Caniveau CS1&CS2



Lift tube Ø (mm)	140	160	180	200	250
	X	X	X	X	



## 841750-019

12x92cm Radius Caniveau CC1 & CC2

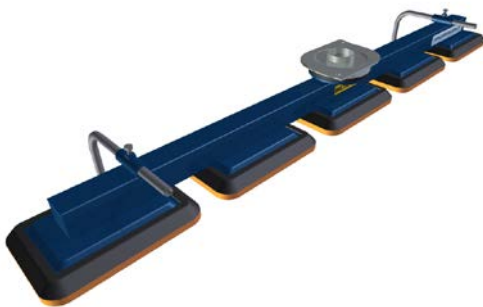
Lift tube Ø (mm)	140	160	180	200	250
	X	X	X	X	



## 841750-020

20x29cm 2pc 33cm/cc Side lift thin kerb stone

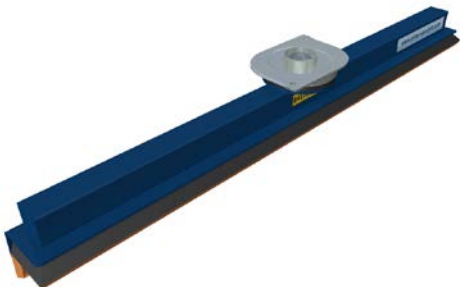
Lift tube Ø (mm)	140	160	180	200	250
	X	X	X	X	



## 841750-021

14,5x21cm 5pc 24cm/cc Lifting yoke

Lift tube Ø (mm)	140	160	180	200	250
	X	X	X	X	X



## 841750-022

92cm Angled T1 T2 T3 Suction feet  
Brodures

Lift tube Ø (mm)	140	160	180	200	250
	X	X	X	X	



### 841750-023

20x29cm 2pc 30cm/cc Suction pad for slab tilt function

Lift tube Ø (mm)	140	160	180	200	250
	X	X	X	X	



### 841750-025

20x29cm 2pc 30cm/cc Tilt function vertical

Lift tube Ø (mm)	140	160	180	200	250
	X	X	X	X	

### 841750-026

Multi Ø150 x5pc 27cm/cc Ø150 x7pc 18cm/cc



Lift tube Ø (mm)	140	160	180	200	250
	X	X	X	X	



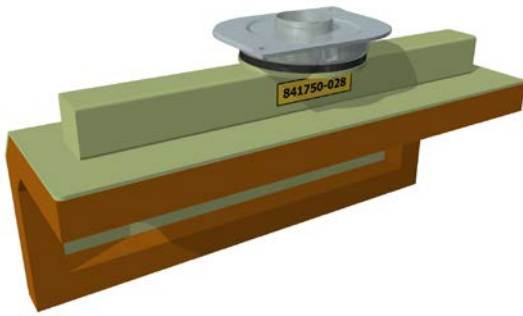
### 841750-027

Multi 16x16cm 7st Ø150mm

24x16cm 5pc Ø150  
 30x30cm 4pc Ø200  
 40x40cm 3pc Ø150(6pc)  
 50x50cm 2pc Ø200(4pc)  
 60x30cm 2pc Ø150(6pc)

Lift tube Ø (mm)	140	160	180	200	250
	X	X	X	X	

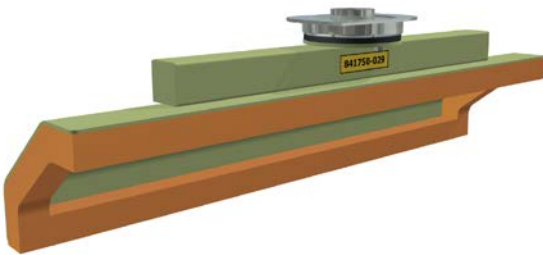
## 841750-028



Suction feet Kerbstone 50cm

Lift tube Ø (mm)	140	160	180	200	250
	X	X	X	X	

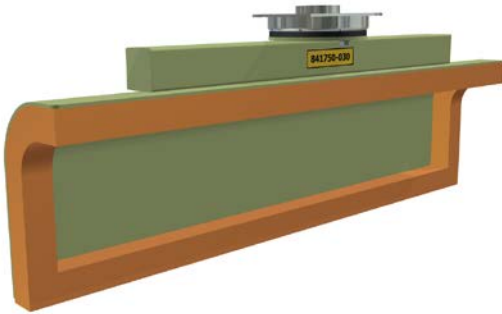
## 841750-029



Suction feet for kerbstone A2

Lift tube Ø (mm)	140	160	180	200	250
	X	X	X	X	

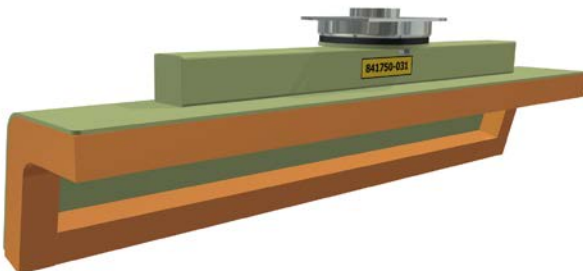
## 841750-030



Suction feet for kerbstone P1

Lift tube Ø (mm)	140	160	180	200	250
	X	X	X	X	

## 841750-031



Suction feet for Kerbstone 77°

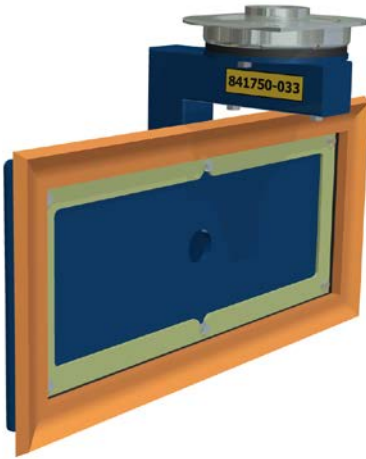
Lift tube Ø (mm)	140	160	180	200	250
	X	X	X	X	



## 841750-032

Suction feet 21x10,5cm x 6pc

Lift tube Ø (mm)	140	160	180	200	250
	X	X	X	X	



## 841750-033

Kerbstone sidlift 45x22cm

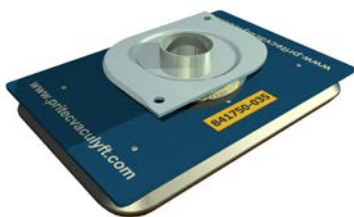
Lift tube Ø (mm)	140	160	180	200	250
	X	X	X	X	X



## 841750-034

Angled slab 29x20cm x 2pc

Lift tube Ø (mm)	140	160	180	200	250
	X	X	X	X	X



## 841750-035

Suction feet 29x29cm

Lift tube Ø (mm)	140	160	180	200	250
	X	X	X	X	





### 841750-036

Kerbstone Ø200x5pc

Lift tube Ø (mm)	140	160	180	200	250
	X	X	X	X	X



### 841750-037

Kerbstone Benders spec Ø200x5 + 10x100cm

Lift tube Ø (mm)	140	160	180	200	250
	X	X	X	X	

### 841750-038

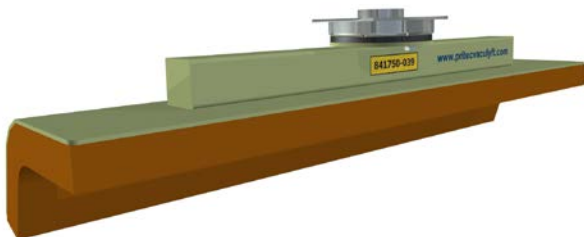
Suction feet 2x 20x23cm 25cm/cc



Lift tube Ø (mm)	140	160	180	200	250
	X	X	X	X	

### 841750-039

Kerbstone type Rudus



Lift tube Ø (mm)	140	160	180	200	250
	X	X	X	X	

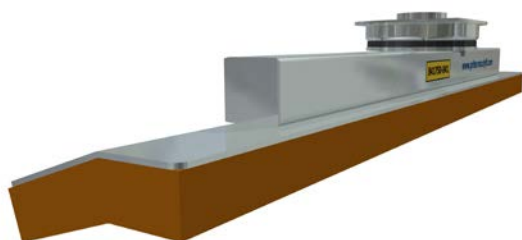
## 841750-040



Suction feet 14x59cm Gångbanehållar

Lift tube Ø (mm)	140	160	180	200	250
	X	X	X	X	

## 841750-041



Kerbstone NT02 Gleiderband

Lift tube Ø (mm)	140	160	180	200	250
	X	X	X	X	

## 841750-042



Kerbstone NT02 RWS band

Lift tube Ø (mm)	140	160	180	200	250
	X	X	X	X	

## 841750-043



Scissors tool wall stone ASAK

Lift tube Ø (mm)	140	160	180	200	250
	X	X	X	X	X

## 841750-044



Suction feet TBLOC 2x6 Ø110

Lift tube Ø (mm)	140	160	180	200	250
	X	X	X	X	

## 841750-045



Kerbstone side lift 45x19cm

Lift tube Ø (mm)	140	160	180	200	250
	X	X	X	X	

## 841750-046



Kerbstone TBLOC Cordolo Stradale

Lift tube Ø (mm)	140	160	180	200	250
	X	X	X	X	