



PAVLÍNEK

VÁZACÍ PROSTŘEDKY

EMAIL: OBCHOD@PAVLINEK.CZ
TEL: +420 595 693 911
ŠALOUNOVA 746/31, OSTRAVA VÍTKOVICE
IČ: 25358511 DIČ: CZ25358511

Featuring CrosbyIP® and
Crosby Clamp-Co® Clamps

CrosbyIP®
LIFTING CLAMPS



Crosby develops practical solutions for specific lifting problems

Our mission is to be the innovative and quality leader in the field of lifting clamps by manufacturing products of uncompromising quality and providing solutions for specific hoisting situations.

With the help of enthusiastic and professional staff, distributors and suppliers we focus entirely on quality brand products, service and support. Our main objective is to guarantee satisfied end-users.

Crosby's Inter Product facility is an ISO-9001 – ANAB accredited company, which ensures compliance with certain well-defined standards and procedures. CrosbyIP Lifting Clamps is, like all other Crosby facilities, certified through DNV.

Users of lifting clamps can be found in a variety of industries:

- Machine construction in a variety of industries
- Automotive industry
- Chemical industry
- Tank and vessel construction
- Aircraft industry
- Windpower energy
- Ship and yacht construction
- Offshore
- Land based industries
- Production and/or assembly of composite parts
- Production of steel constructions for buildings, bridges, etc.
- Pipe laying
- Road construction

Maximum reliability

For more than 40 years CrosbyIP lifting clamps have been proving throughout the world their reliability in markets around the world.

Our R&D department is responsible for a complete product line that can be counted on to provide the strength you need. A CrosbyIP clamp distinguishes itself from competition on different areas. The welded alloy steel body is designed for strength, and results in a clamp that is lighter and more compact, and where needed the clamp is equipped with forged alloy components.

The clamps are user friendly and contain many small attributes that enable them to withstand the often heavy work conditions to which they are exposed.

High quality production methods

The production of CrosbyIP lifting clamps utilizes high tech manufacturing techniques. Our welding robots, plasma cutting machine, CNC milling machines and modern assembly line is fully designed to deliver a consistent high quality.

Points of recognition

Always use the right clamp for the right application. The company name (CrosbyIP), logo, WLL, jaw opening and Proof Load test date are permanently stamped on the body.

Each product is provided with a unique serial number that is stamped on the body and included on the test certificate with maintenance and warranty logbook.

CrosbyIP clamps are individually proof tested to 2 times the Working Load Limit. In addition, each clamp is RFID equipped, allowing for ease of inspection.



HRC < 37	IP(U)10
HRC > 27 < 37	IP(U)10S (Stainless steel)
HRC > 37 < 47	IP(U)10H (Hard)
	IPNM10 (Non Marring)



HRC < 37

HRC > 27 < 37

HRC > 37 < 47

Non Marring

Innovative

Our innovations provide you effective solutions for your material handling applications. A way to save you time and money.

As our standard product range may not meet the client's specific needs, CrosbyIP can offer an extensive range of specials. See page 30 for some examples of products that provide a suitable solution.

10 years guarantee

Maximum reliability. This is also visible in the 10 year guarantee available on all standard CrosbyIP clamp styles. CrosbyIP is the only producer in the world who offers a 10 year guarantee.

This guarantee is linked to regular maintenance and the use of original parts. Periodic inspections, preventive maintenance service and one or, when necessary, two overhaul services are the only conditions to preserve the 10 years guarantee.

The inspections will be carried out by a qualified officer authorized by the company. The maintenance- and overhaul services should be carried out by a CrosbyIP accredited dealer.





Industry education/Technical support

Crosby has always been concerned that our users are knowledgeable with the installation, use, inspection and maintenance of our products. A Technical Support Team is also ready to answer any questions in regard to our products and services.

Training is available in the following areas:

Sales Training: Extensive product training, designed to extend the knowledge of the product range and application areas of CrosbyIP lifting clamps.

User Training: Using the right clamp, in the right way, at the right place. In this training, employees are informed about proper lifting methods.

Repair Training: Designed for inspection and periodic maintenance of CrosbyIP clamps. With this certificate (valid for 4 yrs.) Service Engineers are qualified to perform periodic maintenance- and overhaul services within organization. You now are a member of the worldwide selection of Certified CrosbyIP repair facilities.

Service and advice

CrosbyIP provides practical and reliable solutions for specific lifting problems. Our team of specialized sales managers are dispersed throughout the world. CrosbyIP has an intensive relationship with a carefully selected network of local authorized distributors which can provide you with professional advise regarding your specific lifting situation.

With our extensive offering on maintenance and overhaul sets you will never run out of parts when your CrosbyIP clamp needs to be repaired. Parts are available per piece, and as well in sets of respectively 5 and 10 pieces, depending of the type you are looking for.

The CrosbyIP Lifting Clamp Assistant

Located on the CrosbyIP website is the Crosby tool in finding the right clamp for a particular lifting situation; the Lifting Clamp Assistant.

Depending on whether you would like to lift vertically or horizontally or if the choice for a clamp is based on what you would like to lift (drums, profiles, bulb profiles, pipe sections) the Clamp Assistant will guide you towards the right clamp for the job.





Index

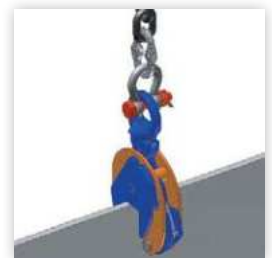
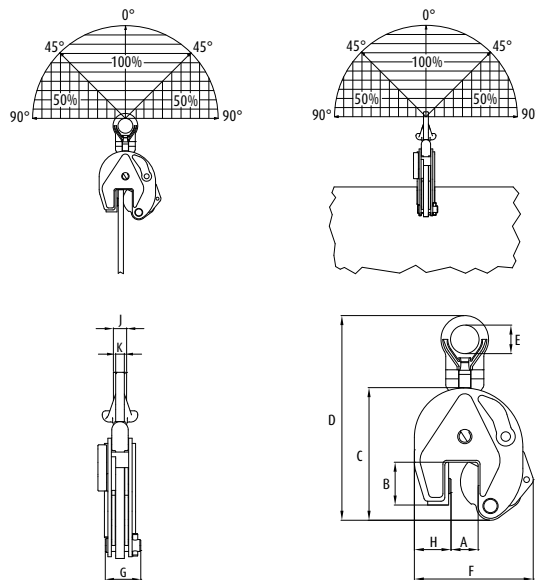


Model		Page
VERTICAL TRANSPORT		
IPU10	Universal model	6
IP10	Basic model	7
IPU10S - IP10S	Stainless steel	8
IPU10H - IP10H	Hard surface materials	9
IPU10A	Automatically locking	10
IP5000	Connecting link clamp to hoist hook	10
IPNM10	Non Marring	11
IPVK	Handling of drums	12
IPDV	Handling of drums	12
HORIZONTAL TRANSPORT		
IPH10	Non sagging: magnets, torsion spring & handle	13
IPH10E	Non sagging: with handle	14
IPHNM10	Non marring	15
IPHOZ	Sagging plates	16
IPBC	With pretension	17
IPHGUZ - IPHGZ	With locking device	18
IPPE	Bundles of plates	19
HORIZONTAL TRANSPORT OF BEAMS		
IPBC	With pretension	17
IPTKU	Universal beam clamp	20
IPBHZ	Transfer and stacking	21
IPBKZ	Transfer and stacking	22
IPBSNZ	Transfer and stacking	22
IPSTARTEC11	Controlled tilting and transport	23
SPECIALLY FOR THE SHIPBUILDING		
IPBUUZ - IPBUZ	Bulb profiles	24
IPSBUUZ - IPSBUZ	Ship sections	25
IPBT010	Temporary tackle eye	26
IPSC	Positioning and pulling	26
Crosby CLAMP-CO		
CCPG	Transport of cylindrical objects	27
CCBC	Transport of beams	28
CCBG	Specially for road construction	29
CCGG	Specially for road construction	29
Specials		30
Crosby QUIC-CHECK®		31



UNIVERSAL – FOR LIFTING IN ANY DIRECTION

- Available in capacities of 0,5 thru 30 metric tonnes (Higher WLL and jaw openings are available upon request).
- Wide variety of jaw openings available: 0 to 155mm | 0" - 6.13"
- Welded alloy steel body for strength and smaller size. Forged alloy components, where required.
- Individually Proof Tested to 2 times the Working Load Limit with certification.
- Company name (CrosbyIP), logo, Working Load Limit and jaw opening permanently stamped on body.
- Each product is individually serialized, with the serial number and Proof Load test date stamped on body. Serial number is included on the test certificate with maintenance and warranty logbook.
- Full 180° turning range for material transfer, turning or moving.
- Lock open, lock closed ability with latch for pretension on material and then release of material.
- Optional IP-5000 Stinger assembly available (see page 10). Allows for easy connection between the clamp and hoist hook.
- Minimum WLL of 10% of Maximum WLL.
- Maintenance replacement kits are available.
- Manufactured by a ISO 9001 facility.
- All sizes are RFID EQUIPPED.



The IPU10 vertical lifting clamp is used for the lifting, turning, moving or vertical transfer of sheet, plates, or fabrications from horizontal to vertical and down to horizontal (180°) as needed. The hinged hoisting eye allows for the clamp to place and lift the load from any direction, or with a multiple leg sling without side loading the clamp. The IPU10 lifting clamps with a WLL of 12t and up are fitted with special hook-up facilities to enable easy placement of the clamp in horizontal position.

Available in a variety of styles:

- IPU10 - Standard clamp for materials with a surface hardness to 37Rc (345 HB).
- IPU10J - Larger jaw opening.
- IPU10S - For use with stainless steel material.
- IPU10H - For use with materials with a surface hardness to 47Rc (450 HB).

Dimensions in mm

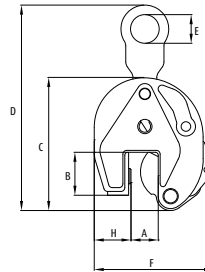
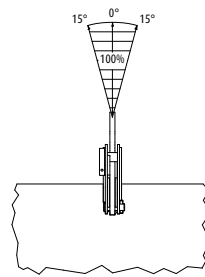
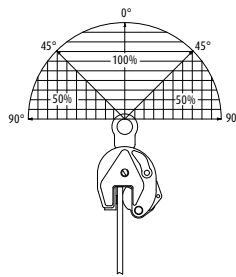
Model	Stock No.	WLL Each (t)*	Weight Each (kg.)	Jaw A	B	C	D	E	F	G	H	J	K
0,5 IPU10	2701675	0,5	1,9	0-16	44	128	228	40	115	41	28	-	11
1 IPU10	2701663	1,0	2,4	0-20	45	139	222	40	126	41	38	-	11
2 IPU10	2701677	2,0	8,5	0-35	78	201	372	70	190	61	55	-	16
3 IPU10	2701665	3,0	14,8	0-40	100	253	445	75	225	78	60	-	20
4,5 IPU10	2701667	4,5	16,0	0-40	100	253	445	75	232	82	65	-	20
6 IPU10	2701669	6,0	24,0	0-50	126	302	525	80	292	84	95	44	20
6 IPU10J	2702469	6,0	30,5	50-100	126	302	525	80	342	84	95	44	20
9 IPU10	2701671	9,0	29,5	0-50	126	325	557	80	310	92	105	44	20
9 IPU10J	2701673	9,0	30,5	50-100	126	325	562	80	360	92	105	44	20
12 IPU10	2701679	12,0	57,0	0-54	160	391	623	80	331	117	137	41	25
12 IPU10J	2701681	12,0	59,0	54-108	178	439	673	80	415	117	137	41	25
16 IPU10	2701683	16,0	72,0	5-64	178	465	734	88	397	119	153	45	25
16 IPU10J	2701685	16,0	85,0	64-128	208	521	790	88	472	119	161	45	25
22,5 IPU10	2701687	22,5	127	5-80	222	554	855	110	470	136	186	49	25
22,5 IPU10J	2701689	22,5	130	80-155	253	628	930	110	575	136	196	49	25
30 IPU10	2701691	30,0	153	5-80	222	545	860	110	470	152	186	54	30
30 IPU10J	2701693	30,0	165	80-155	250	620	935	110	565	152	196	54	30

* Design Factor based on EN 13155 and ASME B30.20



BASIC – FOR VERTICAL LIFTING, TURNING AND TRANSFER

- Available in capacities of 0,5 thru 30 metric tonnes (Higher WLL and jaw openings are available upon request).
- Wide variety of jaw openings available: 0 to 155mm | 0" - 6.13"
- Welded alloy steel body for strength and smaller size. Forged alloy components, where required.
- Individually Proof Tested to 2 times the Working Load Limit with certification.
- Company name (CrosbyIP), logo, Working Load Limit and jaw opening permanently stamped on body.
- Each product is individually serialized, with the serial number and Proof Load test date stamped on body. Serial number is included on the test certificate with maintenance and warranty logbook.
- Full 180° turning range for material transfer, turning or moving.
- Lock open, lock closed ability with latch for pretension on material and then release of material.
- Optional IP-5000 Stinger assembly available (see page 10). Allows for easy connection between the clamp and hoist hook.
- Minimum WLL of 10% of Maximum WLL.
- Maintenance replacement kits are available.
- Manufactured by a ISO 9001 facility.
- All sizes are RFID EQUIPPED.



Dimensions in mm

The IP10 vertical lifting clamp is used for the lifting, turning, moving or vertical transfer of sheet, plates, or fabrications from horizontal to vertical and down to horizontal (180°) as needed. Usually used as a single point pick or when used with a spreader beam with multiple vertical drop lines. The IP10 lifting clamps with a WLL of 12t and above are fitted with special hook-up facilities to enable easy placement of the clamp in horizontal position.

Model	Stock No.	WLL Each (t)*	Weight Each (kg.)	Jaw A	B	C	D	E	F	G	H	J	K
0,5 IP10	2701674	0,5	1,8	0-16	44	128	207	40	115	41	28	-	10
1 IP10	2701662	1,0	2,2	0-20	45	139	215	40	126	41	38	-	10
2 IP10	2701676	2,0	7,6	0-35	78	201	336	70	190	61	55	-	16
3 IP10	2701664	3,0	13,8	0-40	100	253	436	75	225	78	60	-	20
4,5 IP10	2701666	4,5	15,0	0-40	100	253	436	75	232	82	65	-	20
6 IP10	2701668	6,0	23,5	0-50	126	302	515	80	292	84	95	40	20
6 IP10J	2701705	6,0	28,5	50-100	126	302	515	80	342	84	95	40	20
9 IP10	2701670	9,0	27,5	0-50	126	325	550	80	310	92	105	44	25
9 IP10J	2701672	9,0	28,5	50-100	126	325	555	80	360	92	105	44	25
12 IP10	2701678	12,0	49,0	0-54	160	391	580	80	331	117	137	41	25
12 IP10J	2701680	12,0	58,0	54-108	178	439	630	80	415	117	137	41	25
16 IP10	2701682	16,0	68,0	5-64	178	465	690	88	397	119	153	49	25
16 IP10J	2701684	16,0	90,0	64-128	208	521	746	88	472	119	161	49	25
22,5 IP10	2701686	22,5	108	5-80	222	554	800	110	470	136	186	49	25
22,5 IP10J	2701688	22,5	110	80-155	253	628	880	110	575	136	196	49	25
30 IP10	2701690	30,0	148	5-80	222	545	800	110	470	152	186	54	30
30 IP10J	2701692	30,0	152	80-155	250	620	880	110	565	152	196	54	30

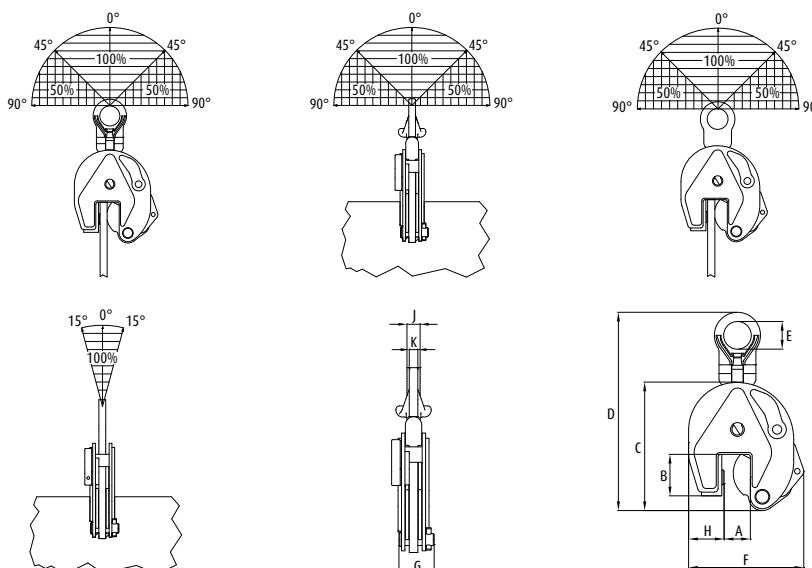
* Design Factor based on EN 13155 and ASME B30.20

IPU10S - IP10S VERTICAL TRANSPORT OF PLATES



FOR STAINLESS STEEL MATERIAL

- Available in capacities of 0,5 thru 12 metric tonnes. (Higher WLL and jaw openings are available upon request).
- Wide variety of jaw openings available: 0 to 54mm | 0" - 2.13".
- Welded alloy steel body for strength and smaller size. Forged alloy components, where required.
- Individually Proof Tested to 2 times the Working Load Limit with certification.
- Company name (CrosbyIP), logo, Working Load Limit and jaw opening permanently stamped on body.
- Each product is individually serialized, with the serial number and Proof Load test date stamped on body. Serial number is included on the test certificate with maintenance and warranty logbook.
- Full 180° turning range for material transfer, turning or moving.
- Lock open, lock closed ability with latch for pretension on material and then release of material.
- Optional IP-5000 Stinger assembly available (see page 10). Allows for easy connection between the clamp and hoist hook.
- Minimum WLL of 10% of Maximum WLL.
- Maintenance replacement kits are available.
- Manufactured by a ISO 9001 facility.
- All sizes are RFID EQUIPPED.



Dimensions in mm



IPU10S and IP10S vertical lifting clamps are suitable for the lifting, turning (180°) and vertical transfer of steel plates and sections of stainless steel. Fitted with a pivot and a camsegment made of stainless steel to avoid contact corrosion.

Available in two versions:

- Model IPU10S fitted with a hinged hoisting eye.
- Model IP10S: fitted with a fixed hoisting eye.

Model	Stock No.	WLL Each (t)*	Weight Each (kg.)	Jaw A	B	C	D	E	F	G	H	J	K
0,5 IPU10S	2702275	0,5	1,9	0-16	44	128	228	40	115	41	28	-	11
1 IPU10S	2702263	1,0	2,1	0-20	45	139	222	40	126	41	38	-	11
2 IPU10S	2702277	2,0	7,6	0-35	78	201	372	70	190	61	55	-	16
3 IPU10S	2702265	3,0	14,8	0-40	100	253	445	75	225	78	60	-	20
4,5 IPU10S	2702267	4,5	16,0	0-40	100	253	445	75	232	82	65	-	20
6 IPU10S	2702269	6,0	24,0	0-50	126	302	525	80	292	84	95	44	20
9 IPU10S	2702271	9,0	29,5	0-50	126	325	557	80	310	92	105	44	20
12 IPU10S	2702279	12,0	30,5	0-54	160	391	623	80	331	117	137	41	25

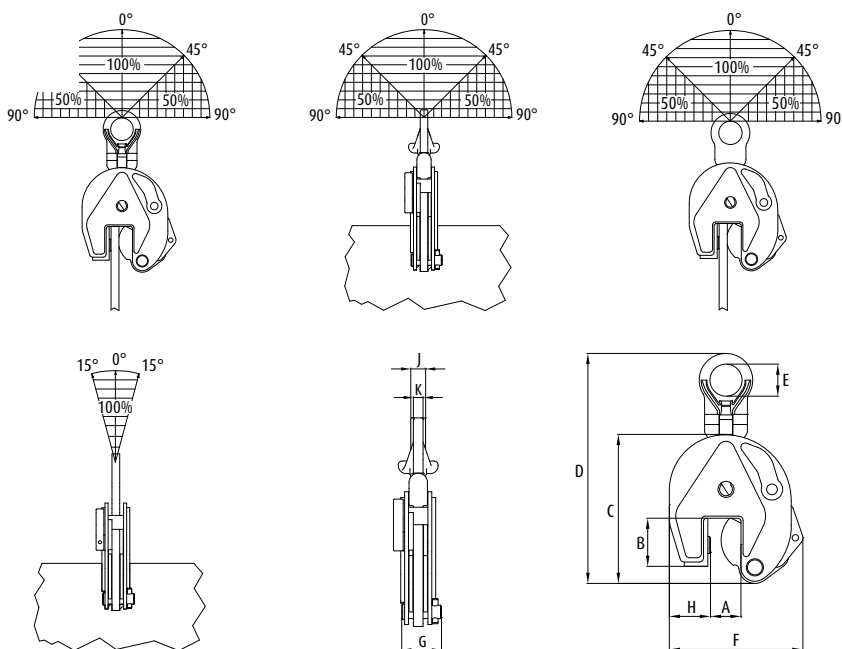
0,5 IP10S	2702274	0,5	1,8	0-16	44	128	207	30	115	41	28	-	10
1 IP10S	2702262	1,0	2,0	0-20	45	139	215	30	126	41	38	-	10
2 IP10S	2702276	2,0	6,8	0-35	78	201	336	70	190	61	55	-	16
3 IP10S	2702264	3,0	13,8	0-40	100	253	436	75	225	78	60	-	20
4,5 IP10S	2702266	4,5	15,0	0-40	100	253	436	75	232	82	65	-	20
6 IP10S	2702268	6,0	23,5	0-50	126	302	525	80	292	84	95	40	20
9 IP10S	2702270	9,0	27,5	0-50	126	325	557	80	310	92	105	44	25
12 IP10S	2702278	12,0	49,0	0-54	160	391	623	80	331	117	137	41	25

Design Factor based on EN 13155 and ASME B30.20



HARD SURFACE MATERIALS

- Available in capacities of 0,5 thru 6 metric tonnes. (Higher WLL and jaw openings are available upon request).
- Wide variety of jaw openings available: 0 to 50mm | 0" - 2."
- Welded alloy steel body for strength and smaller size. Forged alloy components, where required.
- Individually Proof Tested to 2 times the Working Load Limit with certification.
- Company name (CrosbyIP), logo, Working Load Limit and jaw opening permanently stamped on body.
- Each product is individually serialized, with the serial number and Proof Load test date stamped on body. Serial number is included on the test certificate with maintenance and warranty logbook.
- Full 180° turning range for material transfer, turning or moving.
- Lock open, lock closed ability with latch for pretension on material and then release of material.
- Optional IP-5000 Stinger assembly available (see page 10). Allows for easy connection between the clamp and hoist hook.
- Minimum WLL of 10% of Maximum WLL.
- Maintenance replacement kits are available.
- Manufactured by a ISO 9001 facility.
- All sizes are RFID EQUIPPED.



IPU10H and IP10H vertical lifting clamps are suitable for the lifting, turning (180°) and vertical transfer of steel plates and sections with extra hard surface hardness. For use on materials with a surface hardness to 47Rc (450 HB). Fitted with a pivot and a camsegment made of extra hard wear-resistant material.

Available in two versions:

- Model IPU10H: fitted with a hinged hoisting eye.
- Model IP10H: fitted with a fixed hoisting eye.

Dimensions in mm

Model	Stock No.	WLL Each (t)*	Weight Each (kg.)	Jaw A	B	C	D	E	F	G	H	J	K
0,5 IPU10H	2702175	0,5	1,9	0-16	44	128	228	40	115	41	28	-	11
1 IPU10H	2702177	1,0	7,6	0-35	78	201	372	70	190	61	55	-	16
2 IPU10H	2702165	2,0	14,8	0-40	100	253	445	75	225	78	60	-	20
3 IPU10H	2702167	3,0	16,0	0-40	100	253	445	75	232	82	65	-	20
4,5 IPU10H	2702169	4,5	24,0	0-50	126	302	525	80	292	84	95	44	20
6 IPU10H	2702171	6,0	29,5	0-50	126	325	557	80	310	92	105	44	20

0,5 IP10H	2702174	0,5	1,8	0-16	44	128	207	30	115	41	28	-	10
1 IP10H	2702176	1,0	6,8	0-35	78	201	336	70	190	61	55	-	10
2 IP10H	2702164	2,0	13,8	0-40	100	253	436	75	225	78	60	-	16
3 IP10H	2702166	3,0	15,0	0-40	100	253	436	75	232	82	65	-	20
4,5 IP10H	2702168	4,5	23,5	0-50	126	302	515	80	292	84	95	40	20
6 IP10H	2702170	6,0	27,5	0-50	126	325	550	80	310	92	105	44	25

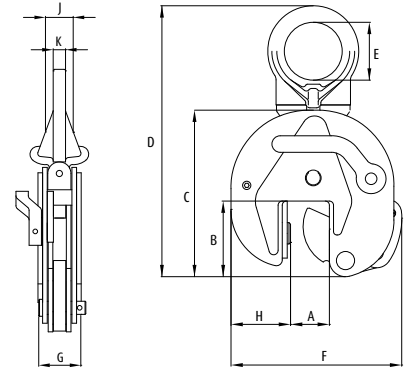
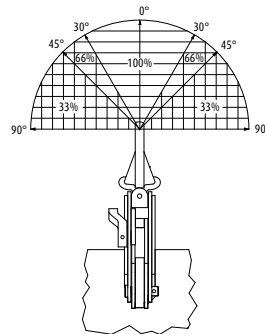
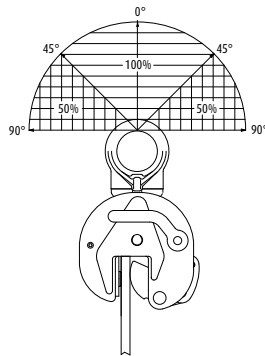
* Design Factor based on EN 13155 and ASME B30.20



Vertical transport of plates:
 The IPU10A automatically clicks on to the material as soon as the clamp is placed on the plate. The fact that the safety lock remains in position as the clamp closes precludes hazardous situations. Fastening the IPU10A clamp in places that are difficult to reach is no problem.

AUTOMATICALLY LOCKING

- Available in capacities of 1 and 2 metric tonnes.
- Jaw openings available: 0 to 35mm | 0" - 1.38".
- Welded alloy steel body for strength and smaller size. Forged alloy components, where required.
- Individually Proof Tested to 2 times the Working Load Limit with certification.
- Company name (CrosbyIP), logo, Working Load Limit and jaw opening permanently stamped on body.
- Each product is individually serialized, with the serial number and Proof Load test date stamped on body. Serial number is included on the test certificate with maintenance and warranty logbook.
- Full 180° turning range for material transfer, turning or moving.
- Lock open, lock closed ability with latch for pretension on material and then release of material.
- Optional IP-5000 Stinger assembly available (see under). Allows for easy connection between the clamp and hoist hook.
- Minimum WLL of 10% of Maximum WLL.
- Maintenance replacement parts are available.
- Manufactured by a ISO 9001 facility.
- All sizes are RFID EQUIPPED.



Dimensions in mm

Model	Stock No.	WLL Each (t)*	Weight Each (kg.)	Jaw A	B	C	D	E	F	G	H	K
1 IPU10A	2701628	1,0	2,3	0-20	45	138	238	40	128	41	37	11
2 IPU10A	2701629	2,0	8,9	0-35	78	201	378	70	200	61	72	16

* Design Factor based on EN 13155 and ASME B30.20

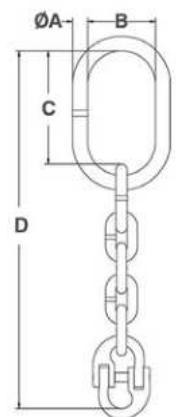


The IP5000 Stinger Assembly is designed to be used as a connecting link between the clamp and the hoist hook.

NOTE: Not intended to be used as a chain sling.

CONNECTING LINK CLAMP TO HOIST HOOK

- Provides easy attachment of selected CrosbyIP clamp to hoist hook.
- Available in three sizes in the IP10 and IPU10 with capacities from 0,5 to 12 metric tonnes.
- Assembly consists of welded alloy master link, Grade 80 chain and A-1337 Lok-A-Loy for attachment to the clamp hoisting eye.
- Individually Proof Tested to 2.5 times the Working Load Limit of Grade 80 chain with certification.
- Company name or logo and frame number permanently stamped on link.
- Locking system provides for simple assembly - no special tools needed.
- Finish - Red Paint.
- Manufactured by an ISO 9001 facility.



Dimensions in mm

Frame size	Chain size	CrosbyIP clamp sizes (t)***	Stock No.	Weight Each (kg.)	A	B	C	D
1	8	0,5 - 1	2701695	0,95	13,0	59,9	100	315
2	13	2 - 4,5	2701704	3,4	22,1	89,9	144	484
3	22	6 - 12	2701713	14,7	36,1	140,0	234	820

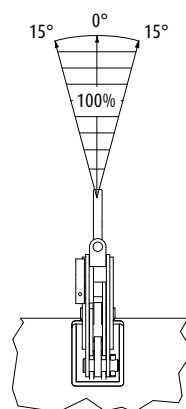
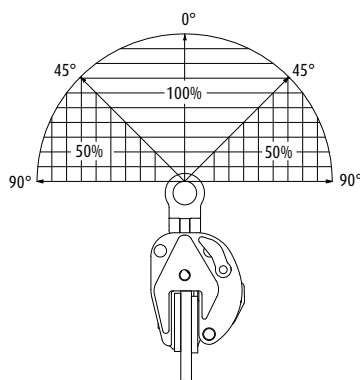
* The working load of the assembly is based on working load limit of the selected clamp
 **Ultimate load is 5 times the Working Load Limit



NON MARRING



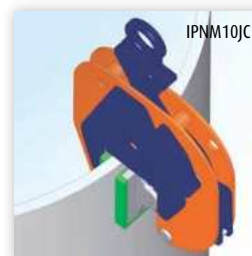
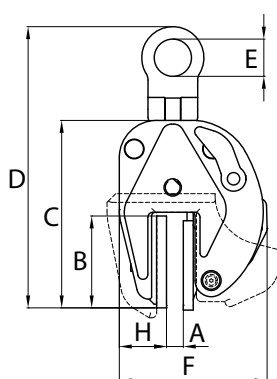
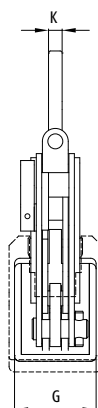
- Available in capacities of 0,5 thru 2 metric tonnes (Higher WLL and jaw openings are available upon request).
- Wide variety of jaw openings available: 0 to 40mm 1 0" – 1.56".
- Welded alloy steel body for strength and smaller size. Forged alloy components, where required.
- Individually Proof Tested to 2 times the Working Load Limit with certification.
- Company name (CrosbyIP), logo, Working Load Limit and jaw opening permanently stamped on body.
- Each product is individually serialized, with the serial number and Proof Load test date stamped on body. Serial number is included on the test certificate with maintenance and warranty logbook.
- Full 180° turning range for material transfer, turning or moving.
- Lock open, lock closed ability with latch for pretension on material and then release of material.
- Optional IP-5000 Stinger assembly available (see page 10). Allows for easy connection between the clamp and hoist hook.
- Maintenance replacement kits are available.
- Manufactured by a ISO 9001 facility.
- All sizes are RFID EQUIPPED.



The IPNM10 vertical lifting clamp is used for the lifting, turning, moving or vertical transfer of sheet, plates, or fabrications from horizontal to vertical and down to horizontal (180°) as needed without marring the surface of the material. Materials such as aluminum, stainless steel, painted materials, aircraft skins, composite material, plastic, etc., can be lifted without marring.

The IPNM10 is also available with a protective cap (model IPNM10P). The protective cover reduces the risk of damage to surrounding materials. Also available: the special IPNM10JC, with curved jaws (see bottom left corner for the IPNM10JC).

Will NOT mar, or scratch the material surface.



Dimensions in mm

Model	Stock No.	WLL Each (t)*	Weight Each (kg.)	Jaw A	B	C	D	E	F	G	H	K
0,5 IPNM10	2703276	0,5	2,5	0-10	74	149	205	40	128	60	38	11
1 IPNM10N	2703738	1,0	4,4	0-20	110	209	270	40	184	80	56	10
1 IPNM10J	2703312	1,0	5,5	20-37	86	196	265	40	177	80	51	10
1 IPNM10J1	2703328	1,0	5,5	0-25	86	225	314	40	194	80	59	10
0,5 IPNM10P	2703278	0,5	2,8	0-10	82	157	213	40	145	68	48	11
1 IPNM10P	2703279	1,0	4,5	0-20	97	195	268	40	205	82	60	10
2 IPNM10	2703442	2,0	14,5	0-40	153	258	396	70	196	100	161	16

* Design Factor based on EN 13155 and ASME B30.20

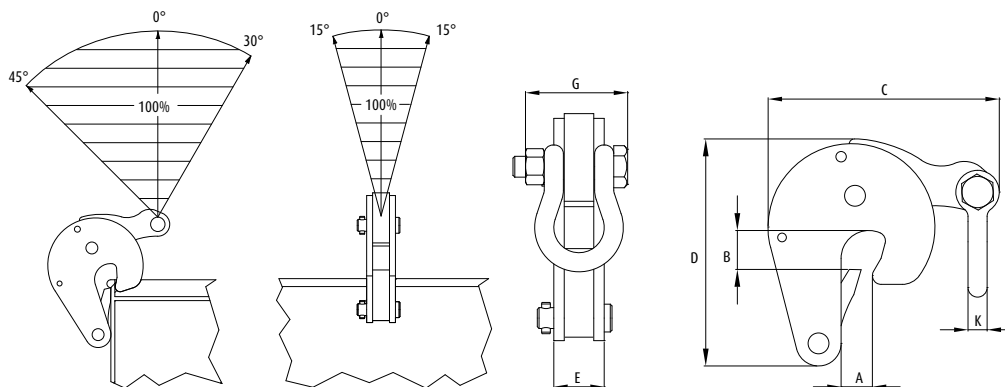


HANDLING OF DRUMS

- Available in capacity of 0,5 metric tonnes.
- Jaw openings available:
 IPVK: 17mm | .63"
 IPDV: 300mm | 11.75"
- Welded alloy steel body for strength and smaller size.
 Forged alloy components, where required.
- Individually Proof Tested to 2 times the Working Load Limit with certification.
- Company name (CrosbyIP), logo, Working Load Limit and jaw opening permanently stamped on body.
- Each product is individually serialized, with the serial number and Proof Load test date stamped on body. Serial number is included on the test certificate with maintenance and warranty logbook.
- Maintenance replacement parts are available.
- Manufactured by a ISO 9001 facility.
- IPVK and IPDV are RFID EQUIPPED.



The IPVK drum clamp is for vertical lift move and transfer of 215 to 225 litre (50-55 gallon) steel tight head drums (ISO 15750-20). Automatically locks on drum, and can be used alone or in pairs. Fitted with shackle, therefore ready for immediate use.



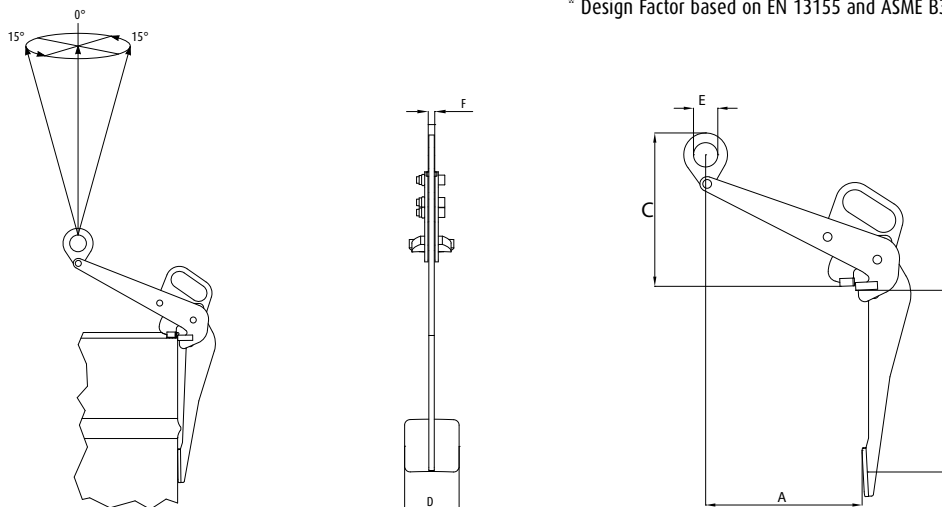
Dimensions in mm

Model	Stock No.	WLL Each (t)*	Weight Each (kg.)	Jaw A	B	C	D	E	G	K
0,5 IPVK	2700116	0,5	1,6	17	26	26	132	29	51	11

* Design Factor based on EN 13155 and ASME B30.20



The IPDV drum clamp is designed to lift, move and transfer of 215 up to 225 litre (50-55 gallon) steel tight head drums (ISO 15750-20). Allows drum to remain in an upright position during the lift. The IPDV may be used both singly or, alternatively, several clamps may be used at one time under a spreader beam, for example in the process of loading and unloading of containers and cargo holds.



Dimensions in mm

Model	Art x Stock No.	WLL Each (t)*	Weight Each (kg.)	Jaw A	B	C	D	E	F
0,5 IPDV	2700118	0,5	7,1	300	375	290	150	50	12

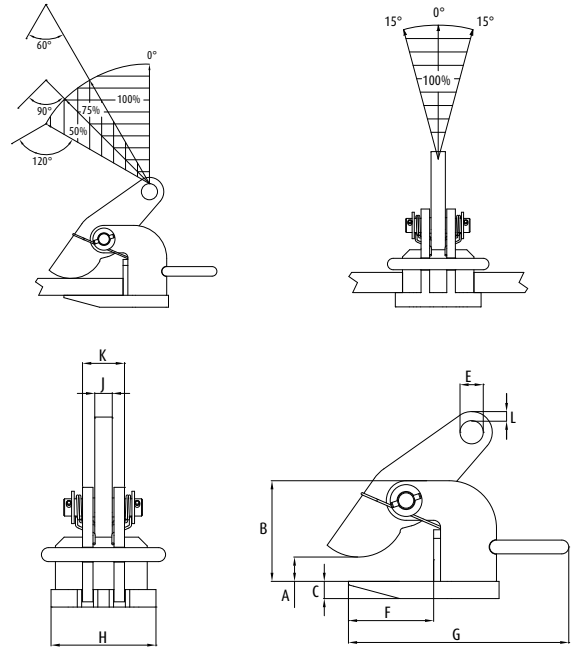
* Design Factor based on EN 13155 and ASME B30.20



**FOR HORIZONTAL LIFTING AND TRANSFER
 - WITH MAGNETS, TORSION SPRING AND HANDLE**

- Available in capacities of 0,5 thru 12 metric tonnes (Higher WLL and jaw openings are available upon request).
- Wide variety of jaw openings available: 0 to 120mm | 0" - 4.75".
- Welded alloy steel body for strength and smaller size. Forged alloy components, where required.
- Individually Proof Tested to 2 times the Working Load Limit with certification.
- Company name (CrosbyIP), logo, Working Load Limit and jaw opening permanently stamped on body.
- Each product is individually serialized, with the serial number and Proof Load test date stamped on body. Serial number is included on the test certificate with maintenance and replacement warranty logbook.
- Manufactured by a ISO 9001 facility.
- All sizes are RFID EQUIPPED.

PATENT PENDING



Dimensions in mm

Model	Stock No.	WLL Per Pair (t) [†]	Weight Per Pair (kg.)	Jaw A	B	C	E	F	G	H	J	K	L
† 0,5 IPH10	2703297	0,5	3,6	0-20	86	12	16	103	150	60	12	27	4
† 1 IPH10	2703298	1,0	5,0	0-35	100	16	16	103	150	60	12	31	7

† No magnets and handle

Model	Stock No.	WLL Per Pair (t) [†]	Weight Per Pair (kg.)	Jaw A	B	C	E	F	G	H	J	K	L
2 IPH10	2703522	2,0	11,0	0-60	117	16	22	109	256	110	20	40	9
3 IPH10	2703523	3,0	15,0	0-60	117	20	26	109	266	120	20	48	11
4,5 IPH10	2703524	4,5	21,0	0-60	132	25	30	104	280	130	20	48	12
6 IPH10	2703525	6,0	26,0	0-60	143	25	36	123	320	130	20	48	14
9 IPH10	2703526	9,0	37,0	0-60	157	30	43	133	330	140	25	62	16
12 IPH10	2703527	12,0	43,0	0-60	172	30	47	141	353	150	25	62	17

Model	Stock No.	WLL Per Pair (t) [†]	Weight Per Pair (kg.)	Jaw A	B	C	E	F	G	H	J	K	L
3 IPH10J	2703533	3,0	18,0	60-120	177	20	26	109	266	120	20	48	9
4,5 IPH10J	2703534	4,5	24,0	60-120	192	25	30	104	280	130	20	48	11
6 IPH10J	2703535	6,0	30,0	60-120	203	25	36	123	320	130	20	48	12
9 IPH10J	2703536	9,0	41,0	60-120	217	30	43	133	330	140	25	62	14
12 IPH10J	2703537	12,0	48,0	60-120	232	30	47	141	353	150	25	62	16

Design Factor based on EN 13155 and ASME B30.20

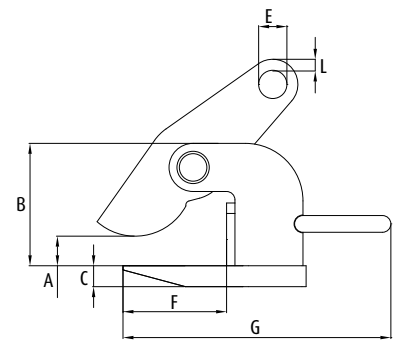
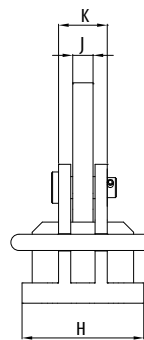
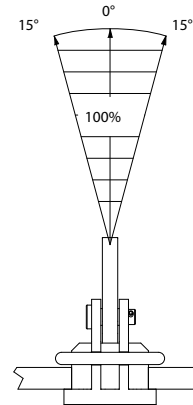
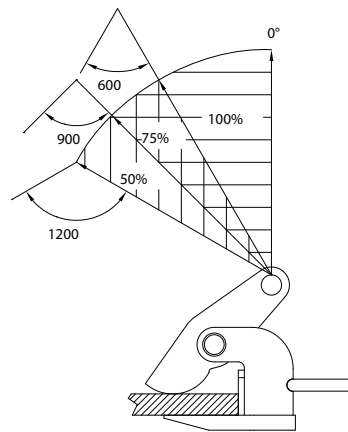
The IPH10 clamps are suitable for the lifting and transfer in horizontal position of non-sagging steel plates. The most important addition is the use of **magnets** which ensure the clamps remain in the proper position on the plate. The clamp is also equipped with a handle and torsion spring that combines to make the placing of the clamp onto the plate quick and easy.

These clamps must be used in pairs or more.



FOR HORIZONTAL LIFTING AND TRANSFER, WITH HANDLE

- Available in capacities of 0,5 thru 12 metric tonnes (Higher WLL and jaw openings are available upon request).
- Wide variety of jaw openings available: 0 to 120mm | 0" - 4.75"
- Welded alloy steel body for strength and smaller size. Forged alloy components, where required.
- Individually Proof Tested to 2 times the Working Load Limit with certification.
- Company name (CrosbyIP), logo, Working Load Limit and jaw opening permanently stamped on body.
- Each product is individually serialized, with the serial number and Proof Load test date stamped on body. Serial number is included on the test certificate with maintenance and warranty logbook.
- Maintenance replacement parts are available.
- Manufactured by a ISO 9001 facility.
- All sizes are RFID EQUIPPED.



Dimensions in mm



The IPH10E clamps are suitable for the lifting and transfer in horizontal position of non-sagging steel plates. The clamp is equipped with a handle for simple and easy placement onto the plate.

These clamps must be used in pairs or more.

Model	Stock No.	WLL Per Pair (t) ^W	Weight Per Pair (kg.)	Jaw A	B	C	E	F	G	H	J	K	L
2 IPH10E	2703542	2,0	11,0	0-60	117	16	22	109	256	110	20	40	9
3 IPH10E	2703543	3,0	15,0	0-60	117	20	26	109	266	120	20	48	11
4,5 IPH10E	2703544	4,5	21,0	0-60	132	25	30	104	280	130	20	48	12
6 IPH10E	2703545	6,0	26,0	0-60	143	25	36	123	320	130	20	48	14
9 IPH10E	2703546	9,0	37,0	0-60	157	30	43	133	330	140	25	62	16
12 IPH10E	2703547	12,0	43,0	0-60	172	30	47	141	353	150	25	62	17

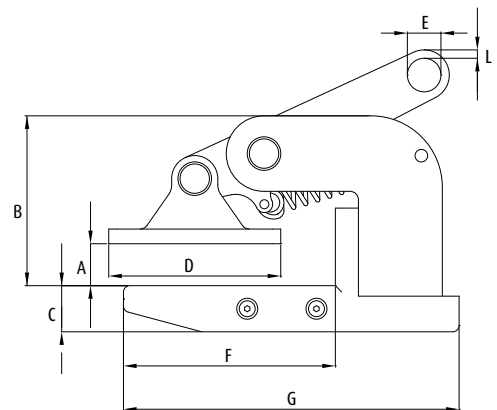
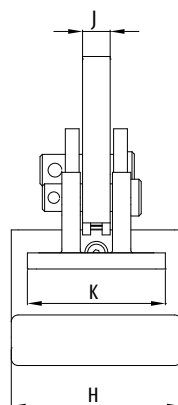
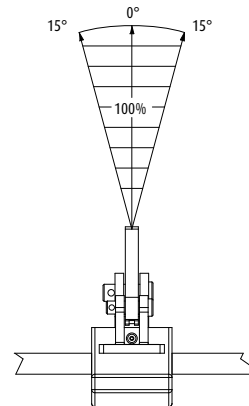
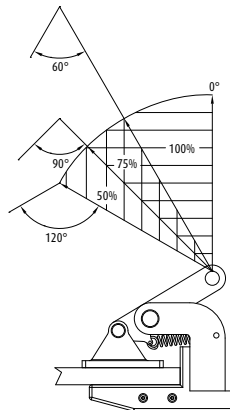
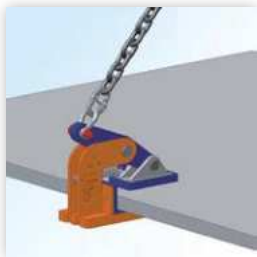
3 IPH10JE	2703553	3,0	18,0	60-120	177	20	26	109	266	120	20	48	11
4,5 IPH10JE	2703554	4,5	24,0	60-120	192	25	30	104	280	130	20	48	12
6 IPH10JE	2703555	6,0	30,0	60-120	203	25	36	123	320	130	20	48	14
9 IPH10JE	2703556	9,0	41,0	60-120	217	30	43	133	330	140	25	62	16
12 IPH10JE	2703557	12,0	48,0	60-120	232	30	47	141	353	150	25	62	17

Design Factor based on EN 13155 and ASME B30.20



NON MARRING

- Available in capacities of 0,5 thru 2 metric tonnes.
- Jaw openings available: 0 to 60mm | 0" - 2.38".
- Welded alloy steel body for strength and smaller size. Forged alloy components, where required.
- Individually Proof Tested to 2 times the Working Load Limit with certification.
- Company name (CrosbyIP), logo, Working Load Limit and jaw opening permanently stamped on body.
- Each product is individually serialized, with the serial number and Proof Load test date stamped on body. Serial number is included on the test certificate with maintenance and warranty logbook.
- Maintenance replacement parts are available.
- Manufactured by a ISO 9001 facility.
- All sizes are RFID EQUIPPED.



The IPHNM10 horizontal lifting clamps have a pretension feature that allows the user to attach the clamps to the material for horizontal lifting and transfer of non-sagging material. To be used where material surface must not be damaged. This also applies for materials with a very smooth surface, composites and coated plates or plates with a very hard surface.

These clamps must be used in pairs or more.

Dimensions in mm

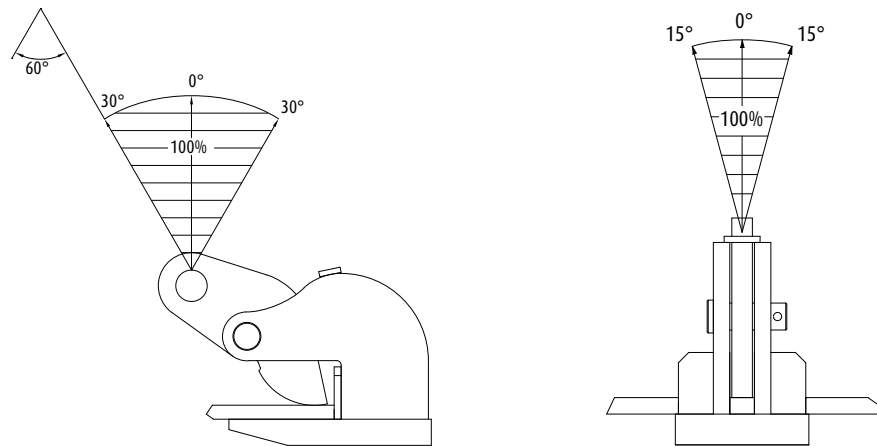
Model	Stock No.	WLL Per Pair (t)*	Weight Per Pair (kg.)	Jaw A	B	C	D	E	F	G	H	J	K	L
0,5 IPHNM10	2703287	0,5	4,0	0-20	81	22	82	16	101	160	74	12	60	4
1 IPHNM10	2703288	1,0	7,0	0-35	93	30	92	16	103	164	74	12	60	7
2 IPHNM10	2703290	2,0	15,0	0-40	139	30	131	22	166	245	100	20	74	9
2 IPHNM10J	2703291	2,0	16,0	30-60	169	30	131	22	166	245	100	20	74	9

* Design Factor based on EN 13155 and ASME B30.20

FOR HORIZONTAL LIFTING OF SAGGING MATERIAL



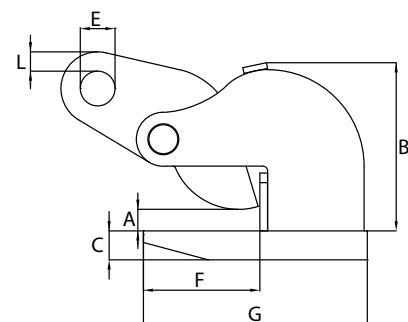
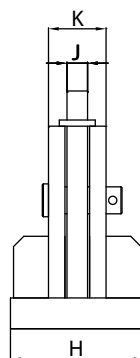
- Available in capacities of 0,75 thru 15 metric tonnes.
- Wide variety of jaw openings available: 0 to 60mm | 0" - 2.38".
- Welded alloy steel body for strength and smaller size. Forged alloy components, where required.
- Individually Proof Tested to 2 times the Working Load Limit with certification.
- Company name (CrosbyIP), logo, Working Load Limit and jaw opening permanently stamped on body.
- Each product is individually serialized, with the serial number and Proof Load test date stamped on body. Serial number is included on the test certificate with maintenance and warranty logbook.
- Maintenance replacement parts are available.
- Manufactured by a ISO 9001 facility.
- All sizes are RFID EQUIPPED.



The IPHOZ horizontal lifting clamp is to be used for lifting and transferring, in the horizontal position, of thin sheet and other materials that will sag or bend when lifted.

The maximum top-angle is 60° when using IPHOZ clamps. The IPHOZ lifting clamps can also be applied in combination with long chains or two leg slings.

These clamps must be used in pairs or more.



Dimensions in mm

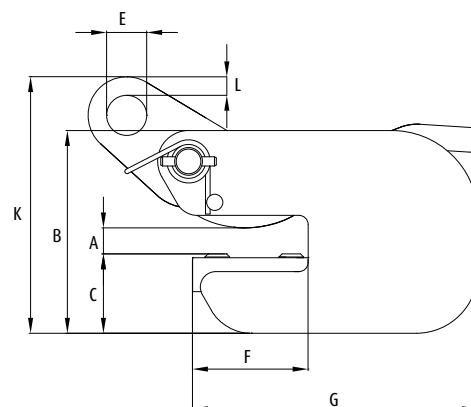
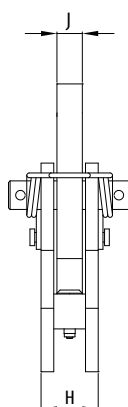
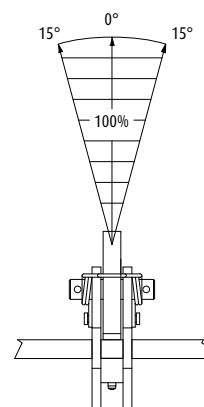
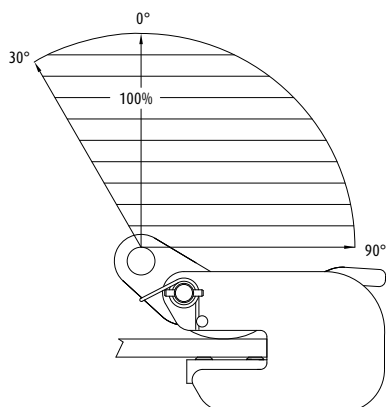
Model	Stock No.	WLL Per Pair (t)*	Weight Per Pair (kg.)	Jaw A	B	C	E	F	G	H	J	K	L
0,75 IPHOZ	2705401	0,75	6,0	0-30	94	16	16	70	118	81	12	31	12
1,5 IPHOZ	2705402	1,5	11,0	0-45	133	16	22	125	192	100	16	36	12
3 IPHOZ	2705403	3,0	16,0	0-45	137	20	26	125	200	120	20	48	10
4,5 IPHOZ	2705404	4,5	17,0	0-45	138	25	30	126	220	120	20	50	10
6 IPHOZ	2705405	6,0	31,0	0-60	171	30	36	135	235	130	20	56	20
9 IPHOZ	2705406	9,0	41,0	0-60	211	30	43	166	276	160	25	62	20
12 IPHOZ	2705407	12,0	76,0	0-60	217	40	47	168	294	190	25	62	19
15 IPHOZ	2705408	15,0	76,0	0-60	220	40	47	183	317	250	25	62	22

Design Factor based on EN 13155 and ASME B30.20

FOR HORIZONTAL TRANSFER – WITH PRETENSION



- Available in capacities of 1 thru 3 metric tonnes. (Higher WLL and jaw openings are available upon request).
- Jaw openings available: 0 to 25mm | 0" - 1".
- Welded alloy steel body for strength and smaller size. Forged alloy components, where required.
- Individually Proof Tested to 2 times the Working Load Limit with certification.
- Company name (CrosbyIP), logo, Working Load Limit and jaw opening permanently stamped on body.
- Each product is individually serialized, with the serial number and Proof Load test date stamped on body. Serial number is included on the test certificate with maintenance and warranty logbook.
- Maintenance replacement kits are available.
- Manufactured by a ISO 9001 facility.
- All sizes are RFID EQUIPPED.



The IPBC horizontal lifting clamps have a pretension feature that allows the user to attach the clamps to the material for horizontal lifting and transfer of sagging and non-sagging material.

These clamps may also be used to handle material that will be used in shears, bending and rolling machines or other fabrication equipment.

May also be used for turning beams from the "H" into the "I" position.

Dimensions in mm

Model	Stock No.	WLL Each (t)*	Weight Each (kg.)	Jaw A	B	C	E	F	G	H	J	K	L
1 IPBC	2700410	1,0	3,5	0 - 20	132	52	26	75	185	36	16	182	12
2 IPBC	2700411	2,0	6,5	0 - 25	152	62	30	82	210	49	20	218	15
3 IPBC	2700412	3,0	8,5	0 - 25	157	66	30	82	210	57	20	225	15

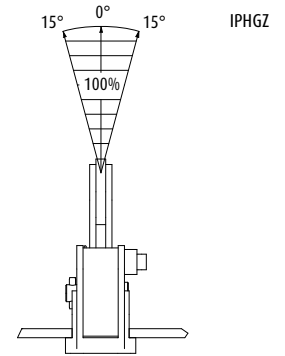
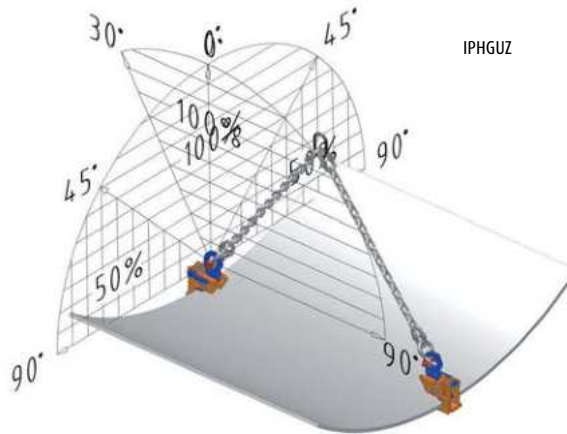
Design Factor based on EN 13155 and ASME B30.20

IPHGUZ - IPHGZ HORIZONTAL TRANSPORT OF PLATES

FOR HORIZONTAL TRANSFER – WITH LOCKING DEVICE



- Available in capacities of 0,75 thru 4,5 metric tonnes (Higher WLL and jaw openings are available upon request).
- Jaw openings available: 0 to 40mm | 0" - 1.56".
- Welded alloy steel body for strength and smaller size. Forged alloy components, where required.
- Individually Proof Tested to 2 times the Working Load Limit with certification.
- Company name (CrosbyIP), logo, Working Load Limit and jaw opening permanently stamped on body.
- Each product is individually serialized, with the serial number and Proof Load test date stamped on body. Serial number is included on the test certificate with maintenance and warranty logbook.
- Maintenance replacement parts are available.
- Manufactured by a ISO 9001 facility.
- All sizes are RFID EQUIPPED.



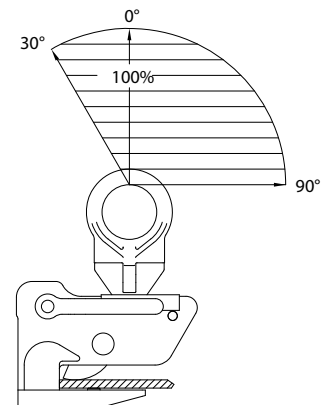
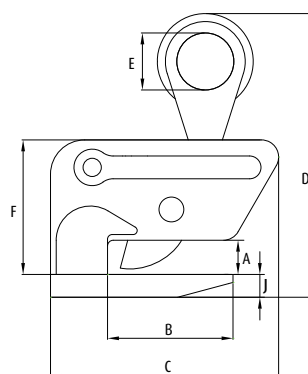
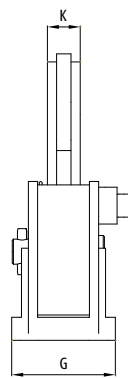
The IPHGZ, IPHGUZ horizontal lifting clamps have a pretension locking feature that allows the user to attach the clamps to the material for horizontal lifting and transfer of sagging and non-sagging material.

These clamps may also be used to handle material that will be used in shears, bending and rolling machines or other fabrication equipment.

May also be used to move and lift structural shapes such as I-beams, H-beams etc.

Available in two versions:

- Model IPHGUZ: fitted with a hinged lifting eye.
- Model IPHGZ: fitted with a fixed lifting eye.



Dimensions in mm

Model	Stock No.	WLL Each (t)*	Weight Each (kg.)	Jaw A	B	C	D	E	F	G	J	K
0,75 IPHGZ	2705451	0,75	4,0	0-25	82	148	206	50	99	98	12	22
1,5 IPHGZ	2705452	1,5	7,3	0-25	110	200	250	50	118	90	20	28
3 IPHGZ	2705453	3,0	12,3	0-40	120	227	305	70	148	120	25	32
4,5 IPHGZ	2705454	4,5	25,0	0-40	120	284	381	70	181	155	30	40

1,5 IPHGUZ	2705455	1,5	9,0	0-25	110	232	287	70	139	90	20	16
3 IPHGUZ	2705456	3,0	19,9	0-40	119	253	348	75	175	120	25	20
4,5 IPHGUZ	2705457	4,5	30,0	0-40	119	301	370	80	175	155	30	44

* Design Factor based on EN 13155 and ASME B30.20

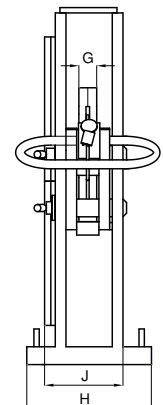
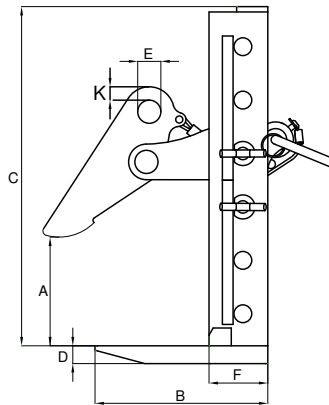
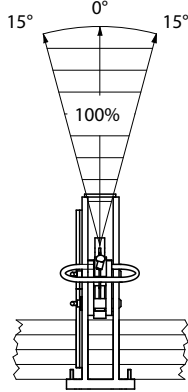
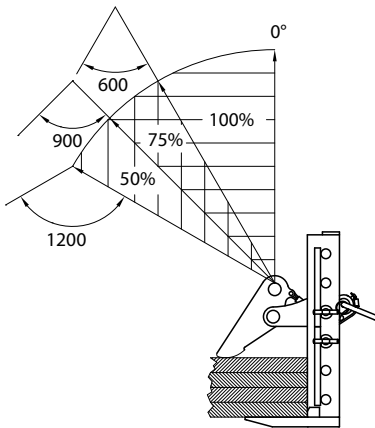
FOR THE LIFTING AND TRANSFER OF BUNDLES OF PLATES



The IPPE is suitable for the lifting and transfer of bundles of non-sagging steel plates in horizontal position.

The jaw opening can be easily adjusted. Raising the handle opens the clamp. This facilitates the easy and quick placing or removing of the clamp.

- Available in capacities of 3 thru 12 metric tonnes.
- Wide variety of jaw openings available: 0 to 420mm | 0" - 16.5".
- Welded alloy steel body for strength and smaller size. Forged alloy components, where required.
- Individually Proof Tested to 2 times the Working Load Limit with certification.
- Company name (CrosbyIP), logo, Working Load Limit and jaw opening permanently stamped on body.
- Each product is individually serialized, with the serial number and Proof Load test date stamped on body. Serial number is included on the test certificate with maintenance and warranty logbook.
- Maintenance replacement parts are available.
- Manufactured by a ISO 9001 facility.
- All sizes are RFID EQUIPPED.



Dimensions in mm

Model	WLL Per Pair (t)*	Stock no.	Weight Per Pair (kg.)	A	B	C	D	E	F	G	H	J	K
3 IPPEB	3,0	2700501	21,0	0-180	194	256	20	26	66	20	140	76	15
3 IPPED	3,0	2700502	26,0	0-300	194	376	20	26	66	20	140	76	15
3 IPPEH	3,0	2700503	28,0	0-420	194	496	20	26	66	20	140	76	15
6 IPPEH	6,0	2700506	46,0	0-420	227	516	25	30	102	20	160	76	13
9 IPPEH	9,0	2700509	62,0	0-420	270	566	25	34	122	20	190	76	21
12 IPPEH	12,0	2700512	104	0-420	292	588	30	40	133	25	200	97	18

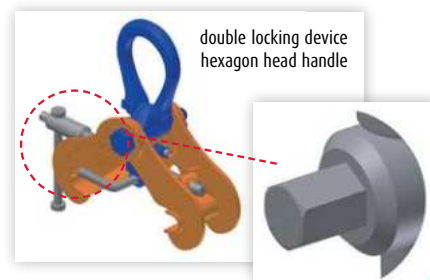
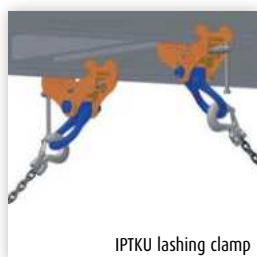
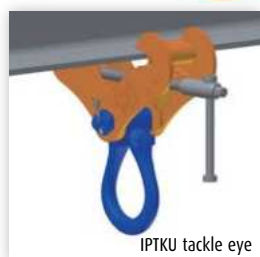
* Design Factor based on EN 13155 and ASME B30.20



UNIVERSAL BEAM CLAMP



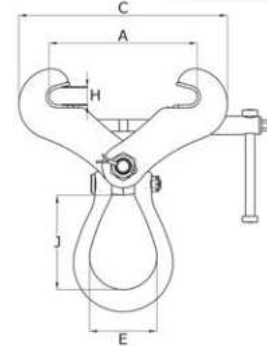
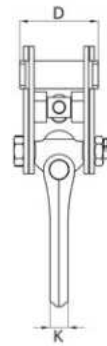
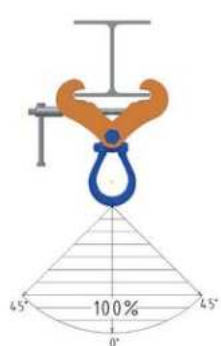
- Available in capacities of 2 thru 10 metric tonnes.
- Wide variety of jaw openings available: 75 to 460mm | 3" - 18".
- Welded alloy steel body for strength and smaller size. Forged alloy components, where required.
- Individually Proof Tested to 2 times the Working Load Limit with certification.
- Company name (CrosbyIP), logo, Working Load Limit and jaw opening permanently stamped on body.
- Each product is individually serialized, with the serial number and Proof Load test date stamped on body. Serial number is included on the test certificate with maintenance and warranty logbook.
- Maintenance replacement parts are available.
- Manufactured by a ISO 9001 facility.
- All sizes are RFID EQUIPPED.



The IPTKU beam clamp is not your standard beam clamp. It is the new standard. Equipped with a hinged hoisting eye that increases the loading angles and available with an additional double locking device (IPTKUD). Suitable for use as a temporary tackle eye for a beam, lifting clamp and as a lashing clamp. Can also be delivered with a 3.1 certificate.

Optional: special offshore version, model IPTKO (including 3.1 B certificate).

Also available: model IPTKUM for personal fall arrest (sheradised and with double locking).



*100% WLL at 45° cross loading can be achieved, provided that special demands regarding flange thickness and fixation are met. Please consult CrosbyIP Engineering Department.

Dimensions in mm

Model	Stock No.	WLL Each (t)*	Weight Each (kg.)	Profile A	C	D	E	H	J	K
2 IPTKU	2707996	2,0	5,8	75-190	A+100	121	76	22	99	19
3 IPTKU	2707997	3,0	6,5	75-190	A+100	121	89	22	122	22
4 IPTKU	2707998	4,0	9,9	120-280	A+150	140	89	40	122	22
5 IPTKU	2707994	5,0	14,6	120-350	A+175	140	89	40	122	22
10 IPTKU	2707970	10,0	40,6	200-460	A+300	200	105	60	152	26

With option: Double locking device										
Model	Stock No.	WLL Each (t)*	Weight Each (kg.)	Profile A	C	D	E	H	J	K
2 IPTKUD	2709996	2,0	6,0	75-190	A+100	165	89	22	99	19
3 IPTKUD	2709993	3,0	6,7	75-190	A+100	165	89	22	122	22
4 IPTKUD	2709995	4,0	12,3	120-280	A+150	185	89	40	122	22
5 IPTKUD	2709994	5,0	15,4	120-350	A+175	185	89	40	122	22
10 IPTKUD	2709970	10,0	42,8	200-460	A+300	250	105	60	152	26

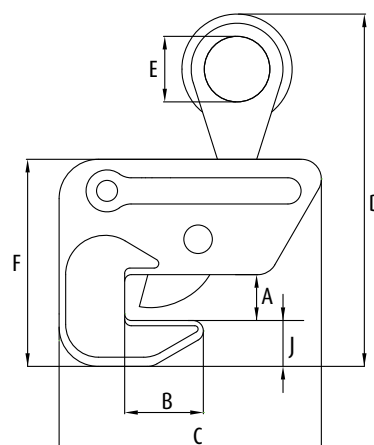
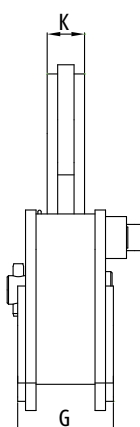
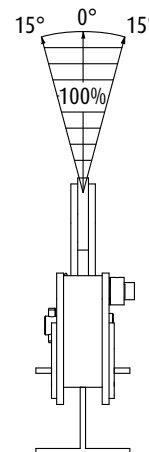
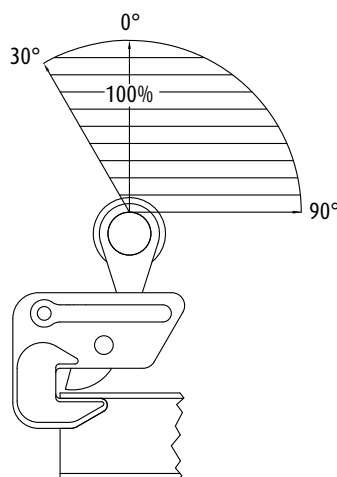
Suitable as anchor device for personnel fall arrest equipment - standard according to EN 795										
Model	Stock No.	WLL Each (t)*	Weight Each (kg.)	Profile A	C	D	E	H	J	K
IPTKUM	2709991	1 person	6,0	75-190	A+100	121	76	22	99	19

* Design Factor based on EN 13155 and ASME B30.20

FOR THE LIFTING AND TRANSFER OF STEEL BEAMS



- Available in capacities of 0,75 thru 4,5 metric tonnes (Higher WLL and jaw openings are available upon request).
- Wide variety of jaw openings available: 0 to 40mm | 0" - 1.57".
- Welded alloy steel body for strength and smaller size. Forged alloy components, where required.
- Individually Proof Tested to 2 times the Working Load Limit with certification.
- Company name (CrosbyIP), logo, Working Load Limit and jaw opening permanently stamped on body.
- Each product is individually serialized, with the serial number and Proof Load test date stamped on body. Serial number is included on the test certificate with maintenance and warranty logbook.
- Maintenance replacement parts are available.
- Manufactured by a ISO 9001 facility.
- All sizes are RFID EQUIPPED.



Dimensions in mm

The IPBHZ beam clamp is used for horizontal lifting and transfer of steel beams. The base is slotted to allow the clamps to be used from end of beams as well as from the flange. This series of clamps can be used in the vertical and horizontal moving, transfer and stacking of different types of structural designs, such as I-Beams, H-beams, angles, etc., depending on the application desired.

Also available: the special **IPBHX**, with enforced frame for handling large pipe sections.

Model	Stock No.	WLL Each (t)*	Weight Each (kg.)	Jaw A	B	C	D	E	F	G	J	K
0,75 IPBHZ	2705461	0,75	3,0	0-25	40	148	220	50	130	69	33	22
1,5 IPBHZ	2705462	1,5	6,0	0-25	60	200	255	50	153	73	35	28
3 IPBHZ	2705463	3,0	10,5	0-40	80	227	325	70	188	112	38	32
4,5 IPBHZ	2705464	4,5	25,0	0-40	112	284	413	70	251	116	80	40
12 IPBHZ	2705467	12,0	42,0	0-40	125	466	490	90	317	90	90	47

* Design Factor based on EN 13155 and ASME B30.20

IPBKZ | IPBSNZ HORIZONTAL TRANSPORT OF BEAMS

FOR THE LIFTING, TRANSFER AND STACKING OF STEEL BEAMS



IPBSNZ

IPBKZ



IPBKZ

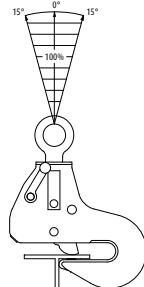
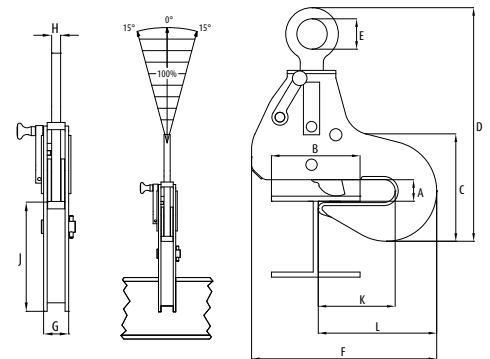
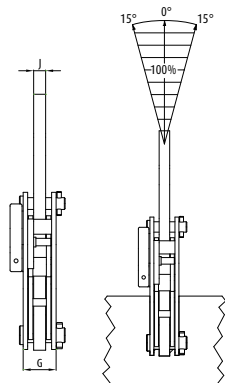
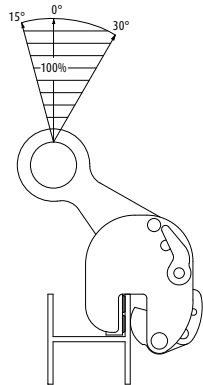
The IPBKZ beam clamp is used for lifting, transfer and stacking of H-Beams. An over-center hoist eye allows for the beam flange to remain vertical. This series of clamps can be used in the vertical and horizontal moving, transfer and stacking of different types of structural designs, such as I-Beams, angles, etc, depending on the application desired.

Minimal width of the flange with a jaw opening of

- 5 – 15mm: width 60mm
- 5 – 25mm: width 75mm
- 5 – 28mm: width 120mm

Minimum WLL of 10% of Maximum WLL.

- IPBKZ: Available in capacities of 0,75 thru 3,75 metric tonnes (Higher WLL and jaw openings are available upon request).
- IPBSNZ: Available in capacities of 1,5 thru 4,5 metric tonnes (Higher WLL and jaw openings are available upon request).
- IPBKZ: Wide variety of jaw openings available: 5 to 28mm | .19" - 1.13".
- IPBSNZ: Wide variety of jaw openings available: 0 to 50mm | 0" - 2".
- Welded alloy steel body for strength and smaller size. Forged alloy components, where required.
- Individually Proof Tested to 2 times the Working Load Limit with certification.
- Company name (CrosbyIP), logo, Working Load Limit and jaw opening permanently stamped on body.
- Each product is individually serialized, with the serial number and Proof Load test date stamped on body. Serial number is included on the test certificate with maintenance and warranty logbook.
- Optional IP-5000 Stinger assembly available (see page 10). Allows for easy connection between the clamp and hoist hook (IPBKZ).
- Maintenance replacement kits are available.
- Manufactured by a ISO 9001 facility.
- All sizes are RFID EQUIPPED.



IPBSNZ

The IPBSNZ beam clamp is used for lifting, transfer and stacking. Offset hoisting eye allows for level lifts of I-Beams, also for lifting fabrications and ship sections. This series of clamps can be used in the vertical and horizontal moving, transfer and stacking of different types of structural designs, such as I-Beams, depending on the application desired.

Dimensions in mm

Model IPBSNZ	Stock No.	WLL Each (t)*	Weight Each (kg.)	Jaw A	B	C	D	E	F	G	H	J	K	L
1,5 IPBSNZ	2705925	1,5	14,0	0-32	100-270	304	480	70	319	47	16	165	148	240
3,0 IPBSNZ	2705926	3,0	22,0	0-40	100-330	352	494	75	408	56	20	207	182	260
4,5 IPBSNZ	2705927	4,5	30,5	0-50	100-360	420	630	75	457	56	20	250	188	293

* Design Factor based on EN 13155 and ASME B30.20

Dimensions in mm

Model IPBKZ	Stock No.	WLL Each (t)*	Weight Each (kg.)	Jaw A	B	C	D	E	F	G	H	J
0,75 IPBKZ	2705780	0,75	3,5	5-15	43	132	192	45	113	47	38	10
1,5 IPBKZ	2705781	1,5	7,0	5-25	62	210	300	70	163	61	50	16
3,75 IPBKZ	2705782	3,75	15,5	5-28	75	260	415	100	202	78	52	20

* Design Factor based on EN 13155 and ASME B30.20

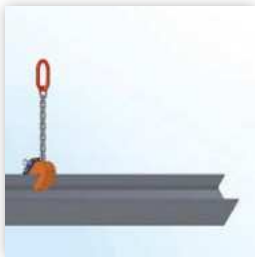


FOR CONTROLLED TILTING AND TRANSPORT



- Available in capacities of 1,5 and 2,5 metric tonnes.
- Jaw openings available: 6 to 20 mm | .25" - .75".
- Welded alloy steel body for strength and smaller size. Forged alloy components, where required.
- Individually Proof Tested to 2 times the Working Load Limit with certification.
- Company name (CrosbyIP), logo, Working Load Limit and jaw opening permanently stamped on body.
- Each product is individually serialized, with the serial number and Proof Load test date stamped on body. Serial number is included on the test certificate with maintenance and warranty logbook.
- Maintenance replacement parts are available.
- Manufactured by a ISO 9001 facility.
- All sizes are RFID EQUIPPED.

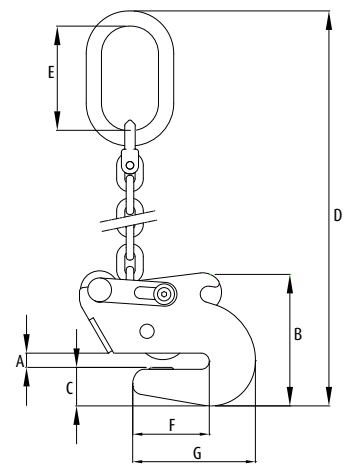
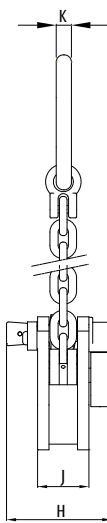
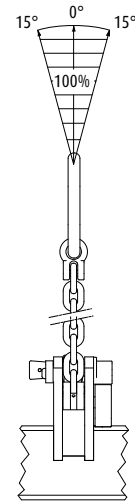
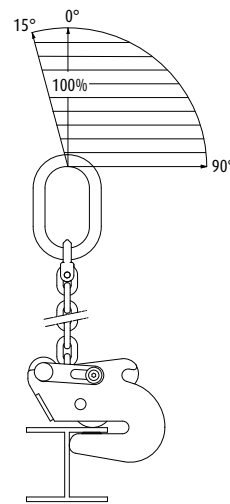
Transport



Controlled tilting



The IPSTARTEC11 beam clamp has been specially developed for lifting with the body in vertical position, controlled tilting, transportation and stacking of steel "H" and "I" profiles. By placing the chain guide in the appropriate position, it is easy to switch from lifting to tilting and back again, which shifts the center of gravity.



Dimensions in mm

Model	Stock No.	WLL Each (t)*	Weight Each (kg.)	Jaw A	B	C	D	E	F	G	H	J	K
1,5 IPSTARTEC11	2701812	1,5	6,6	6-12	140	39	575	110	81	129	54	126	16
2,5 IPSTARTEC11	2701822	2,5	14,5	6-20	210	55	725	135	115	182	74	140	18

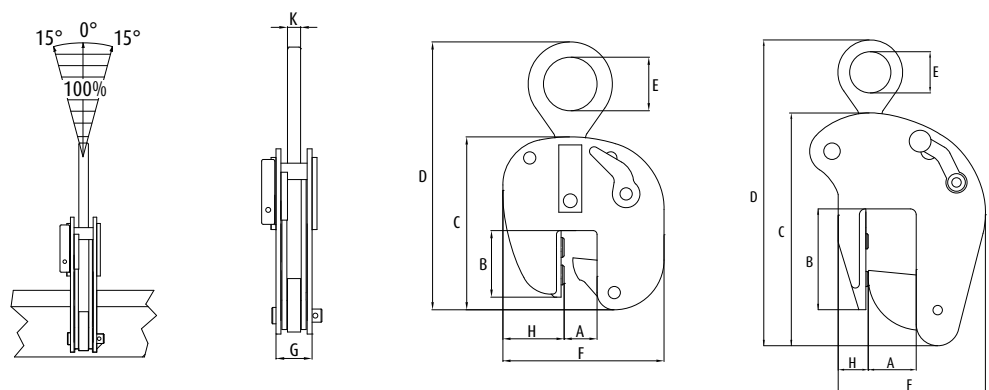
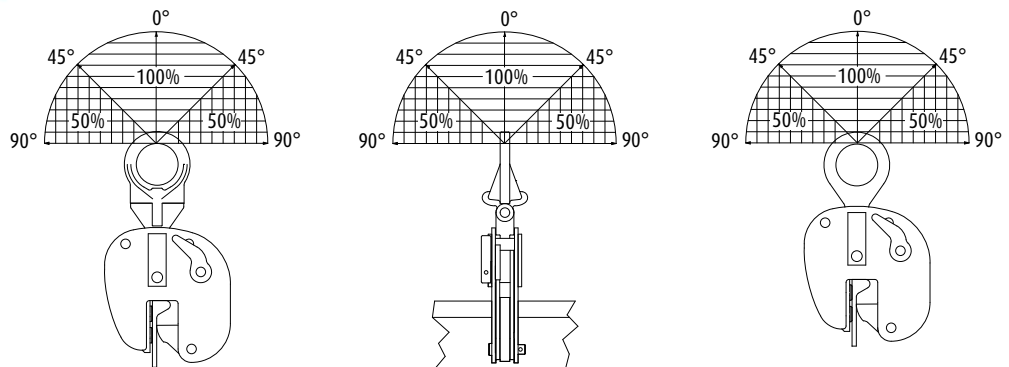
* Design Factor based on EN 13155 and ASME B30.20

IPBUUZ - IPBUZ SPECIALLY FOR THE SHIPBUILDING



FOR BULB PROFILES

- Available in capacities of 0,75 thru 3,75 metric tonnes.
- Jaw openings available: * for HP profiles 120 to HP 430 | HP 4.75" - 17".
- Welded alloy steel body for strength and smaller size. Forged alloy components, where required.
- Individually Proof Tested to 2 times the Working Load Limit with certification.
- Company name (CrosbyIP), logo, Working Load Limit and jaw opening permanently stamped on body.
- Each product is individually serialized, with the serial number and Proof Load test date stamped on body. Serial number is included on the test certificate with maintenance and warranty logbook.
- Optional IP-5000 Stinger assembly available (see page 10). Allows for easy connection between the clamp and hoist hook.
- Maintenance replacement parts are available.
- Manufactured by a ISO 9001 facility.
- All sizes are RFID EQUIPPED.



The IPBUUZ - IPBUZ shipbuilding clamps are used for the lifting, transfer and placing of bulb profiles onto ship's hulls perpendicularly. These clamps are fitted with a locking device for both open and closed positions, which ensures complete reliability. To be used exclusively for bulb profiles (not for plates).

Available in two versions:

- Model IPBUUZ: with hinged hoisting eye.
- Model IPBUZ: with fixed hoisting eye.

Dimensions in mm

Model	Stock No.	WLL Each (t)*	Weight Each (kg.)	Profile A	B	C	D	E	F	G	H	K
0,75 IPBUUZ	2705601	0,75	8,5	HP 120-200	85	226	390	70	210	61	70	16
0,75 IPBUZ	2705600	0,75	7,0	HP 120-200	85	226	390	70	210	61	70	16
1,5 IPBUZ	2705701	1,5	15,0	HP 220-430	196	397	568	70	256	69	48	16
3,75 IPBUZ	2705702	3,75	28,5	HP 220-430	238	438	565	80	355	64	100	20

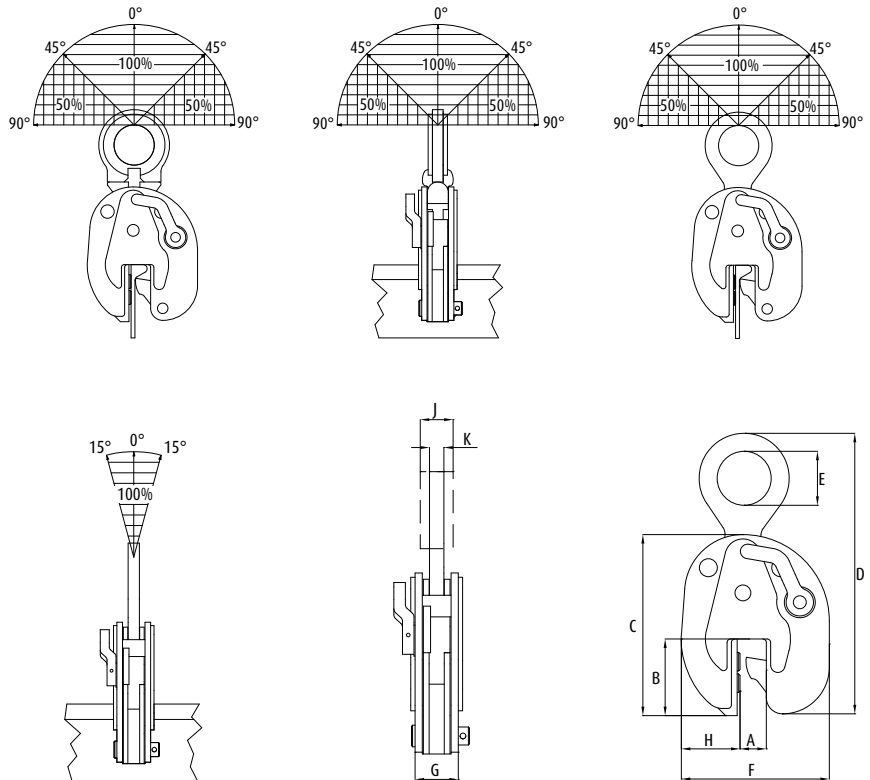
* Design Factor based on EN 13155 and ASME B30.20

SPECIALLY FOR THE SHIPBUILDING **IPSBUUZ - IPSBUZ**



FOR SHIP SECTIONS

- Available in capacities of 4,5 thru 22,50 metric tonnes (Higher WLL and jaw openings are available upon request).
- Wide variety of jaw openings available: HP profiles 100 to HP 430 | HP 4" - 17"
- Welded alloy steel body for strength and smaller size. Forged alloy components, where required.
- Individually Proof Tested to 2 times the Working Load Limit with certification.
- Company name (CrosbyIP), logo, Working Load Limit and jaw opening permanently stamped on body.
- Each product is individually serialized, with the serial number and Proof Load test date stamped on body. Serial number is included on the test certificate with maintenance and warranty logbook.
- Optional IP-5000 Stinger assembly available (see page 10). Allows for easy connection between the clamp and hoist hook.
- Maintenance replacement parts are available.
- Manufactured by a ISO 9001 facility.
- All sizes are RFID EQUIPPED.



The IPSBUUZ - IPSBUZ shipbuilding clamps are used for the lifting, transfer and placing of complete ship sections. These clamps are fitted with a locking device for both open and closed positions, which ensures complete reliability. They are to be used exclusively for bulb profiles (not for plates).

Available in two versions:

- Model IPSBUUZ & IPSBU(S)UZ: with hinged hoisting eye.
- Model IPSBUZ & IPSBU(S)Z: with fixed hoisting eye.

Dimensions in mm

Model	Stock No.	WLL Each (t)*	Weight Each (kg.)	Profile A	B	C	D	E	F	G	H	J	K
4,5 IPSBUUZ	2705771	4,5	15,5	HP 100-160	107	252	450	75	206	96	82	36	20
4,5 IPSBUSUZ	2705772	4,5	38,0	HP 180-430	227	428	635	75	377	95	128	-	20
9 IPSBUUZ	2705773	9,0	43,0	HP 100-160	105	274	491	80	248	123	104	44	20
9 IPSBUSUZ	2705774	9,0	59,0	HP 180-430	227	478	718	80	425	118	155	44	25

4,5 IPSBUZ	2705721	4,5	13,5	HP 100-160	107	252	382	75	206	96	82	-	20
4,5 IPSBUSZ	2705722	4,5	35,8	HP 180-430	227	428	592	75	377	95	128	-	20
9 IPSBUZ	2705723	9,0	23,0	HP 100-160	105	274	461	80	248	123	104	-	30
9 IPSBUSZ	2705724	9,0	68,0	HP 180-430	227	478	672	80	425	118	155	45	25
15 IPSBUSZ	2705728	15,0	64,0	HP 180-430	226	485	690	88	401	100	135	49	25
22,5 IPSBUSZ	2705730	22,5	100	HP 180-430	224	543	740	90	470	116	185	-	30

* Design Factor based on EN 13155 and ASME B30.20

IPBT010 - IPSC SPECIALLY FOR THE SHIPBUILDING



IPBT010

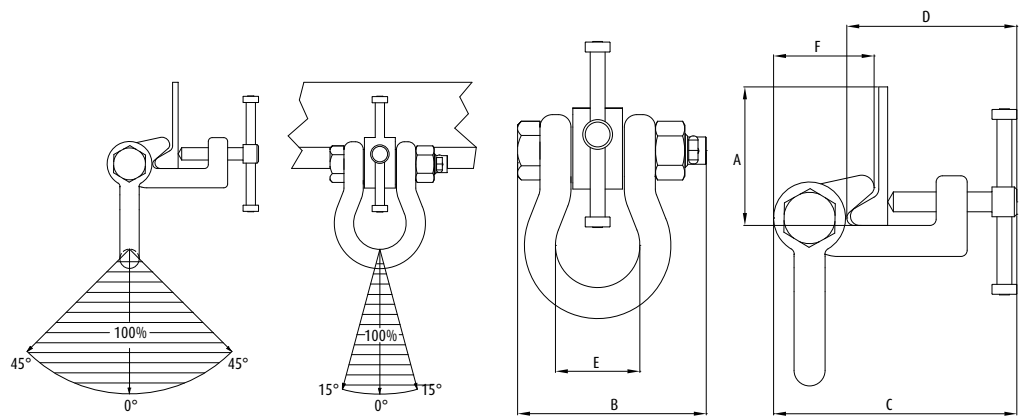


IPSC

- IPBT010: Available in capacities of 1,5 thru 6 metric tonnes (Higher WLL and different jaw openings (HP profiles) upon request).
- IPSC: Available in capacities of 1,5 thru 3 metric tonnes.
- Wide variety of jaw openings available:
 IPBT010: HP profiles 160 to HP 430 | 6.25" - 17".
 IPSC: 0 to 50 mm | 0" - 2".
- Welded alloy steel body for strength and smaller size. Forged alloy components, where required.
- Individually Proof Tested to 2 times the Working Load Limit with certification.
- Company name (CrosbyIP), logo, Working Load Limit and jaw opening permanently stamped on body.
- Each product is individually serialized, with the serial number and Proof Load test date stamped on body. Serial number is included on the test certificate with maintenance and warranty logbook.
- Maintenance replacement parts are available.
- Manufactured by a ISO 9001 facility.



The IPBT010 shipbuilding clamp is used as a temporary tackle eye in spaces which have been reinforced with HP (bulb) profiles such as engine rooms and ship sections. This clamp is fitted with a screwed spindle for easy attachment of the clamp. The moment a load is applied, the clamp is automatically fixed.



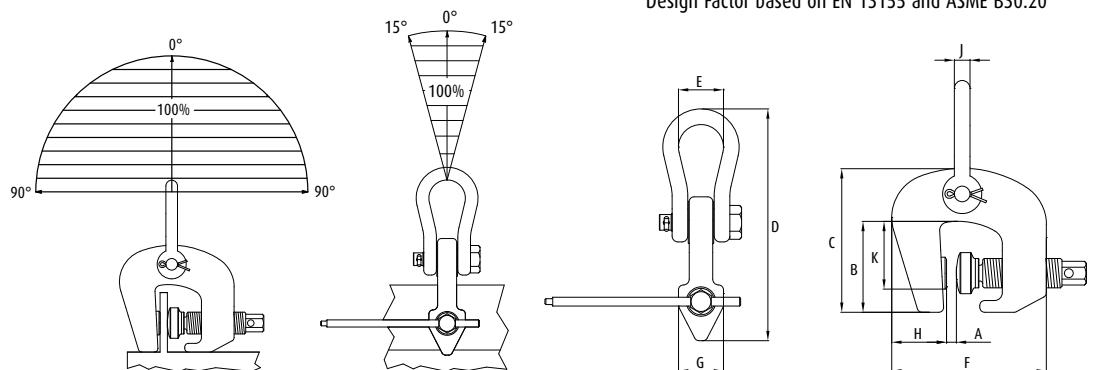
Dimensions in mm

Model	Stock No.	WLL Each (t)*	Weight Each (kg.)	Profile A	B	C	D	E	F
1,5 IPBT010	2700980	1,5	4,3	HP 160-240	137	188-209	129-150	68	81
3 IPBT010	2700986	3,0	6,0	HP 240-320	137	188-217	145-174	68	78
6 IPBT010	2700991	6,0	13,0	HP 300-430	185	255-297	195-236	98	102

* Design Factor based on EN 13155 and ASME B30.20



The IPSC screw style clamp is for positioning, and pulling of plate or fabrications. **Not to be used as a lifting clamp!** Suitable for steel with a surface hardness up to 30 Rc.



Dimensions in mm

Model	Stock No.	WLL Each (t)*	Weight Each (kg.)	Jaw A	B	C	D	E	F	G	H	J	K
1,5 IPSC	2701640	1,5	4,0	0 - 32	91	143	229	45	154	46	52	16	52
3 IPSC	2701641	3,0	6,0	0 - 50	105	165	265	50	190	54	59	19	60

* Design Factor based on EN 13155 and ASME B30.20



CCPG



Crosby Clamp-Co Pipe Grabs provide an excellent means of handling cylindrical objects as long as they meet "Pipe O.D." and "Working Load Limits" referenced in the table below. Additional sizes available upon request.

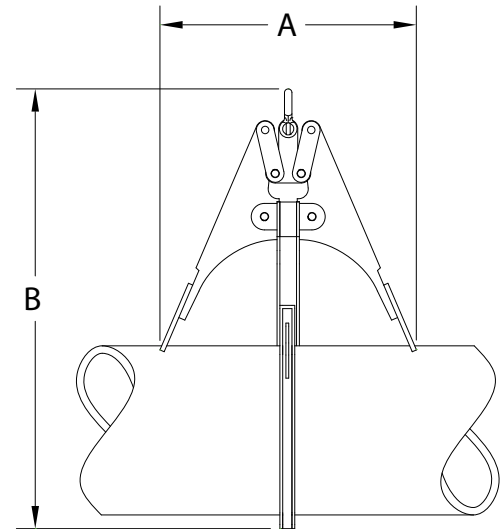
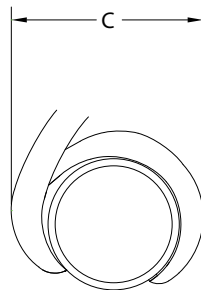
Also available: Non Marring Adjustable Pipe Grab.

Pipe grab sizes listed will handle all classes in a category of ASA standard cast iron pipe, C900, Yellowmine, Schedule 40, 80 & 120 PVC or ASA standard steel welded and seamless pipe.

Standard, extra strong and double extra all have the same outside diameter.

PIPE GRABS

- Available in capacities of 204 kg, 3175 kg. (450 to 7000 lbs.).
- Moveable outriggers help stabilize the load.
- No blocking of load required.
- Individually Proof Tested to 2 times the Working Load Limit with certification.
- Designed to handle loads of various types of material, including:
 - Cast Iron
 - Steel
 - PVC
 - C900
 - Yellowmine Ductile Iron
 - Cement Pipe
- Finish - Red Paint.
- Custom sizes are available.
- All sizes are RFID EQUIPPED.



Dimensions in mm

For Cast Iron Pipe C-900, C-905, Bluestripe C-906, Certa-Lok PVC Pressure Pipe

Model	CCPG-900 Stock No.	WLL (kg.)*	Pipe O.D.	Weight Each (kg.)	Jaw A	B	C
C-3	2730000	204	102	4,54	127	254	152
C-4	2730009	272	122	5,0	203	356	178
C-6	2730018	454	175	6,8	279	432	279
C-8	2730027	635	230	11,3	330	559	256
C-10	2730036	907	282	21,8	381	686	432
C-12	2730045	1134	335	32,7	457	813	508
C-14	2730054	1588	389	47,6	559	965	584
C-16	2730063	1814	442	59,0	610	1067	635
C-18	2730072	2268	495	77,1	660	1143	711
C-20	2730081	2948	549	95,3	711	1270	813
C-24	2730090	3175	655	102	787	1473	889

* Maximum Proof Load is 2 times the Working Load Limit

For Steel Pipe SDR Class 200, Yellowmine, PVC Schedule 40, 80 & 120

Model	CCPG-900 Stock No.	WLL (kg.)*	Pipe O.D.	Weight Each (kg.)	Jaw A	B	C
S-3	2731000	204	88,9	4,54	127	254	152
S-4	2731009	272	114	5,0	203	356	178
S-6	2731018	454	168	6,8	279	432	279
S-8	2731027	635	219	11,3	330	559	356
S-10	2731036	907	273	21,8	381	686	432
S-12	2731045	1134	324	32,7	457	813	508
S-14	2731054	1588	356	47,6	559	965	584
S-16	2731063	1814	406	59,0	610	1067	635
S-18	2731072	2268	457	77,1	660	1143	711
S-20	2731081	2948	508	95,3	711	1270	813
S-24	2731090	3175	610	102	787	1473	889

* Maximum Proof Load is 2 times the Working Load Limit

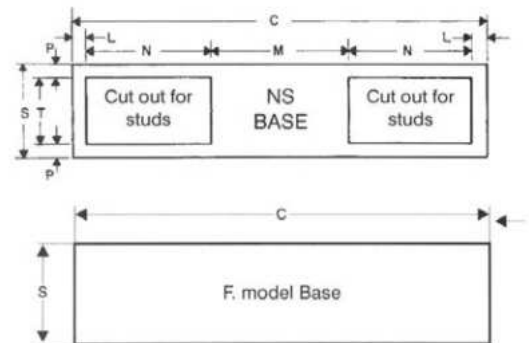
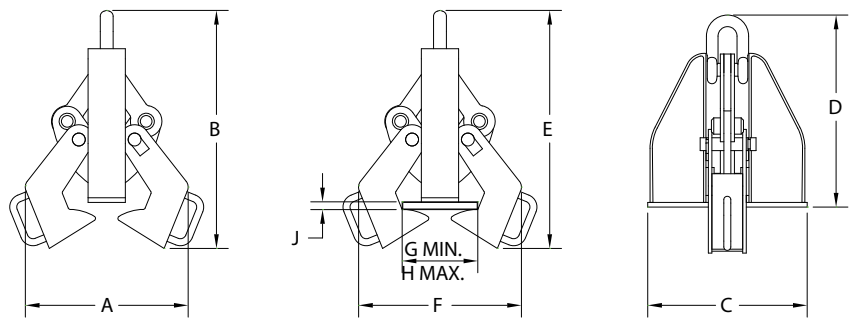


FOR HANDLING WIDE FLANGE BEAM SECTIONS AND PLATE GIRDERS



CCBC

- Available in capacities of 5 thru 35 metric tonnes.
- Eliminates the need for slings, chokers, and spreader bars.
- When applied to load, the tongs automatically open and slide under the flange of the beam.
- Center plate and gripping tongs work together - the heavier the beam, the greater the clamping pressure.
- Model "NS" clamps have a recessed base to accept studs welded to the beam surface.
- Individually Proof Tested to 2 times the Working Load Limit with certification.
- Finish - Red Paint.
- All sizes are RFID EQUIPPED.



Crosby Clamp-Co Beam Clamps provide an efficient method for handling wide flange beam sections and plate girders. When lifting, these beam clamps grip the beam at three points, and when properly balanced and safely guided, the beam can be handled even if the clamp is slightly off center lengthwise.

NOTE: Control the beam at all times. Beams should be gripped as near the center as possible. Snubbing lines at each end must be used to control excessive twisting or swinging, and to guide the beam to its proper place. Each lifting situation may have a specific demand which should be addressed before lifting.

Dimensions in mm

Model	CCBC 500 Stock No.	WLL Each (t)*	Flange Grip Range		Weight Each (kg.)	A	B	C	D	E	F	G	H	J
			Width	Thickness										
F - 5	2732000	4,54	102 - 254	13 - 25	31,8	241	660	305	508	648	406	19,1	102	25,4
F - 15	2732009	13,6	178 - 432	13 - 51	69,4	394	864	432	686	876	635	178	432	50,8
NS - 15	2732018	13,6	178 - 432	13 - 51	69,4	394	864	432	686	876	635	178	432	50,8
F - 25	2732027	22,7	406 - 610	25 - 76	132	584	1219	565	914	1346	946	406	610	76,2
NS - 25	2732036	22,7	406 - 610	25 - 76	132	584	1219	565	914	1346	946	406	610	76,2
F - 35	2732045	31,8	406 - 914	41 - 102	235	762	1626	699	1219	1473	1346	406	914	102
NS - 35	2732054	31,8	406 - 914	41 - 102	235	762	1626	699	1219	1473	1346	406	914	102

* Maximum Proof Load is 2 times the Working Load Limit

Base Stock No.	Base Dimensions						
	C	L	M	N	P	S	T
F - 5	343	-	-	-	-	76,2	-
F - 15	432	-	-	-	-	102	-
NS - 15	432	12,7	165	114	19,1	102	63,5
F - 25	565	-	-	-	-	140	-
NS - 25	565	19,1	197	165	19,1	140	102
F - 35	699	-	-	-	-	152	-
NS - 35	699	19,1	229	216	19,1	152	114



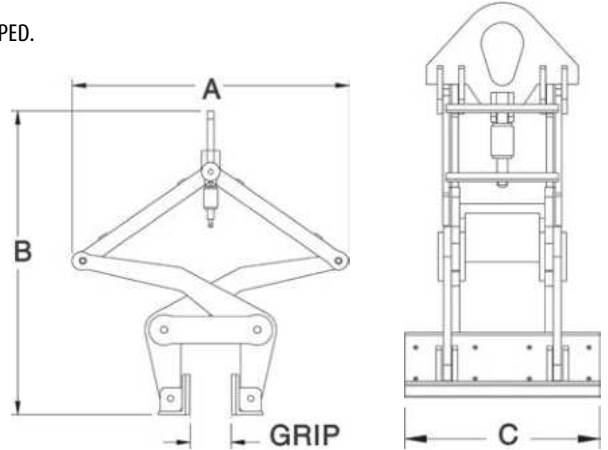
CONCRETE ROAD BARRIERS



CCBG

Crosby Clamp-Co Barrier Grabs provide a fast and efficient method for handling concrete road barriers. Hands-free operation.

- Alloy Steel Construction.
- Available with polyurethane pads or hardened steel jaw (Replacement kits available).
- Eliminates the need for slings, chokers and spreader bars.
- Individually Proof Tested to 2 times the Working Load Limit with certification.
- Finish - Red Paint.
- All sizes are RFID EQUIPPED.



Dimensions in mm

Model	CCBG-150 Stock No.	WLL (t)*	Grip width	Weight Each (kg.)	A	B	C
BG-9000	2734009	4,08	152 - 305	132	1038	1140	457

*Maximum Proof Load is 2 times the Working Load Limit



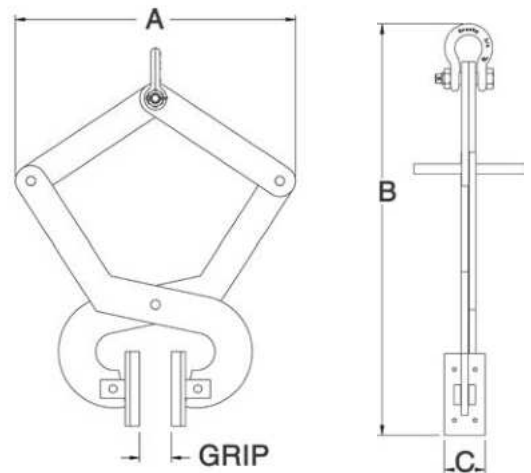
GRANITE CURBS



CCGG

Crosby Clamp-Co Curb Grabs provide a fast and efficient method for handling large granite curbs. Virtually no manual assistance is required.

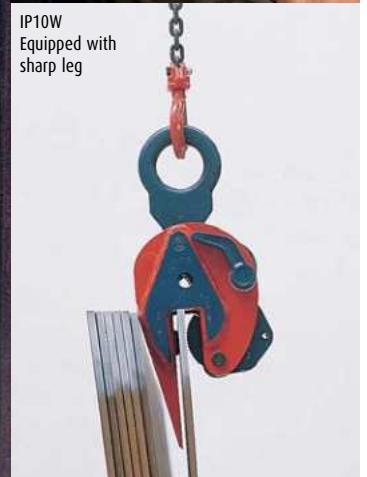
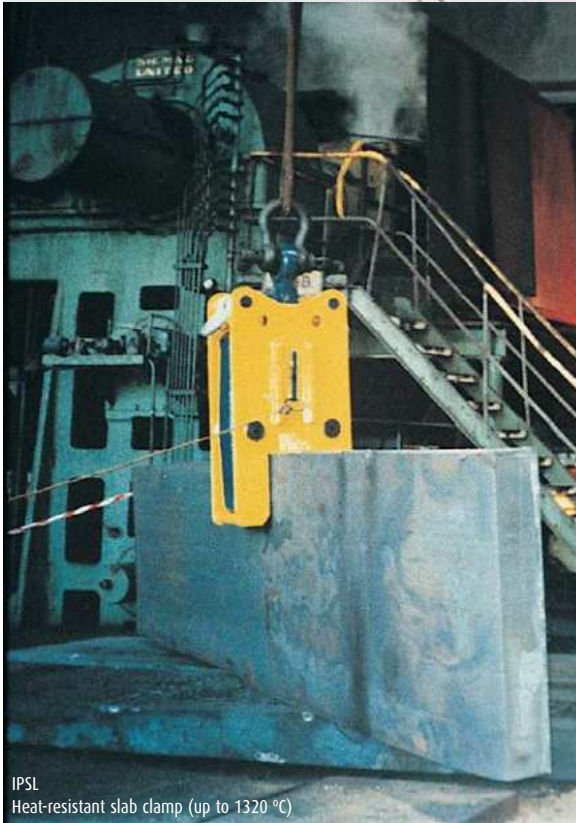
- Alloy Steel Construction.
- Available with polyurethane pads or hardened steel jaw (Replacement kits available).
- Eliminates the need for slings, chokers and spreader bars.
- Individually Proof Tested to 2 times the Working Load Limit with certification.
- Finish - Red Paint.
- All sizes are RFID EQUIPPED.



Dimensions in mm

Model	CCGG-140 Stock No.	WLL (kg.)*	Grip width	Weight Each (kg.)	A	B	C
CG-1400	2734000	635	102 - 178	16,8	565	683	254

*Maximum Proof Load is 2 times the Working Load Limit





QUIC-CHECK®

The Crosby QUIC-CHECK® Inspection and Identification System has been designed to provide a more accurate and efficient system for inspecting slings and various Crosby products. This is accomplished by combining an electronic inspection software program developed by Crosby with RFID (Radio Frequency Identification) technology.

Inspection information for B30.9 in the palm of your hand. The QUIC-CHECK® Tag Reader option of the Pocket QUIC-CHECK® system (located on a portable handheld device), allows the user quick reference to the status of any sling or product fitted with Crosby's RFID identification system.

By simply scanning the appropriate tag, the user can quickly determine the following information about the sling or product:

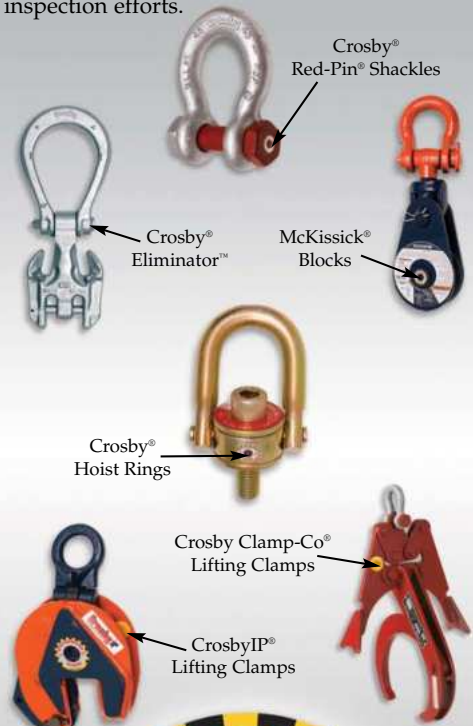
- QUIC-CHECK® ID number
- Product Type (.i.e., Chain Sling, Wire Rope Sling, Synthetic Sling, Shackle, etc.)
- In Service Date
- Date of Last Recorded Inspection
- Status of product at Last Recorded Inspection



- Reduces cost of overall inspection process
- Enhanced data accuracy - Eliminates errors inherent in current process
 - No more handwritten inspection reports
 - No more manual typing of inspection reports
- Provide inspection reports quicker, with a higher level of accuracy
- Ability to keep electronic records of slings produced/inspected
- Ability to quickly reference support materials designed to facilitate the inspection process
- Maintains an electronic file of each sling and various Crosby hardware supplied to an end user - From sling inception thru last inspection

RFID-Equipped Crosby® Products

Many standard Crosby® products come from the factory equipped with RFID chips that you can program and utilize in your inspection efforts.



“The Mark of Value Added Intelligent Lifting Hardware”



PAVLÍNEK
VÁZACÍ PROSTŘEDKY

EMAIL: OBCHOD@PAVLINEK.CZ
TEL: +420 595 693 911
ŠALOUNOVA 746/31, OSTRAVA VÍTKOVICE
IČ: 25358511 DIČ: CZ25358511

“A STRONG GRIP ON PERFORMANCE WITH UNCOMPROMISING QUALITY”

CROSBY EUROPE:

BELGIUM

Industriepark Zone B n°26
2220 Heist-op-den-Berg

T: (+32) (0)15 75 71 25
F: (+32) (0)15 75 37 64
sales@crosbyeurope.com

FRANCE

21, rue du Petit Albi
Parc d’Affaires Silic
95800 Cergy - St. Christophe

T: (+33) (0)1 34 201 180
F: (+33) (0)1 34 201 188
sales@crosbyeurope.fr

UNITED KINGDOM

Station Street
Cradley Heath
West Midlands B64 6AJ

T: (+44) (0)1226 290 516
F: (+44) (0)1226 240 118
sales@crosbyeurope.co.uk

WWW.CROSBYIP.COM

CrosbyIP Products Distributed By:

Crosby[®]**IP**
LIFTING CLAMPS