



Pulley block

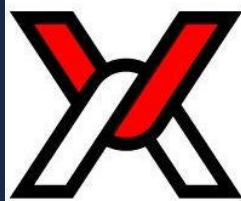
150 – 7500 kg

Description

The pulley blocks from Gebuwin's product range are suitable for both hand and electric winches. The wheel is manufactured from cast iron and fitted with bearings. The pulley blocks are used to guide the cable to the location where the load has to be moved. A fine way to make moving your load easier.

Product specifications

- > robust design
- > suitable for electric and manual winches
- > pulley wheel made of cast iron
- > bracket made of steel with one layer of paint RAL7035 (grey)
- > plain bearing



PAVLÍNEK
VÁZACÍ PROSTŘEDKY

Šalounova 746/31
703 00 Ostrava - Vítkovice
www.pavlinek.cz

Tel.: +420 595 693 911
Fax: +420 595 693 958
E-mail: obchod@pavlinek.cz



GEBUWIN
quality winches

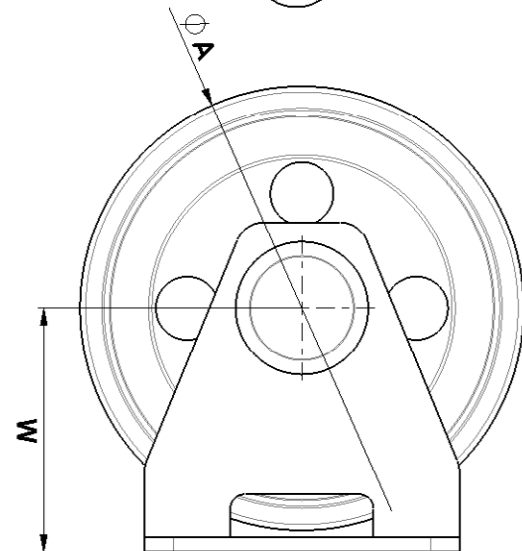
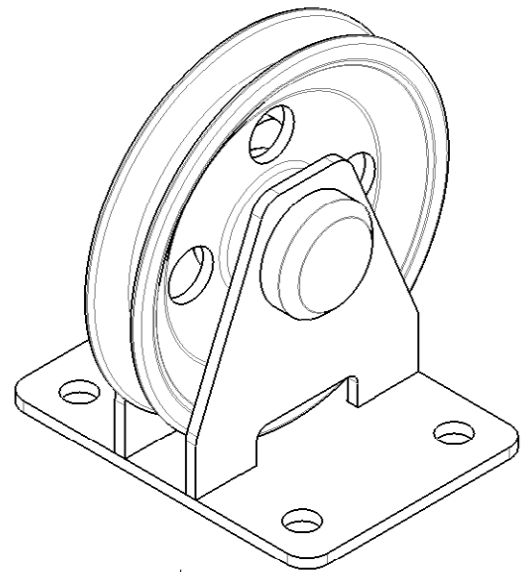
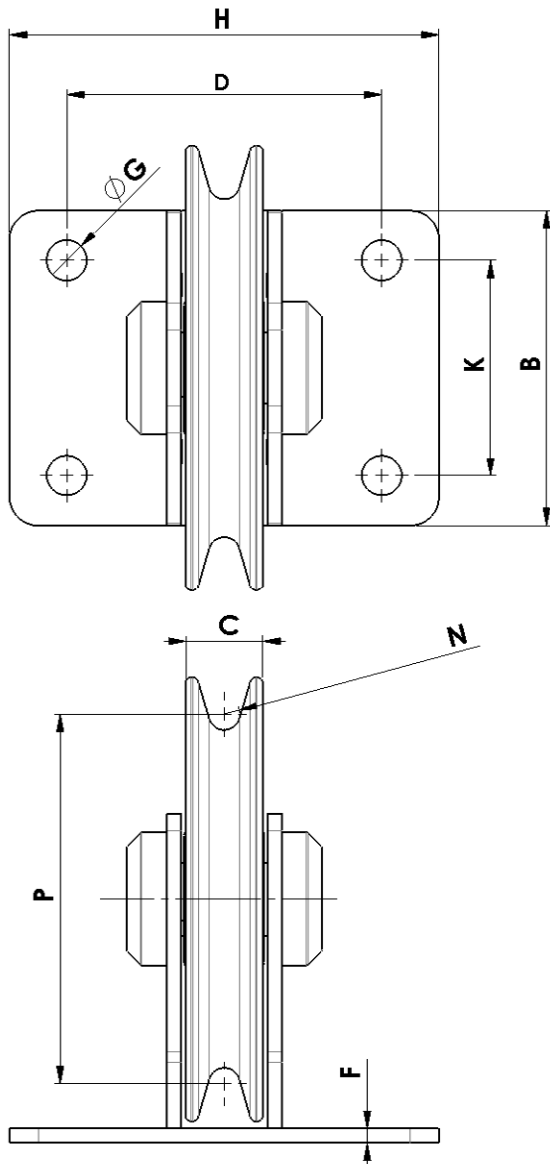
Industrieweg 6, 7102 DZ Winterswijk, The Netherlands
Telephone: +31(0)543 532600 Email: info@gebuwin.com

For more information, visit: www.gebuwin.com

Technical specifications KB150-7500

Šalounova 746/31
703 00 Ostrava - Vítkovice
www.pavlinek.cz

Tel.: +420 595 693 911
Fax: +420 595 693 958
E-mail: obchod@pavlinek.cz



Dimensions (mm)	A	B	C	D	E	G	H	K	M	N	P
KB150	90	60	18	65	5	11	90	35	54	4,5	72
KB300	100	65	20	70	5	11	100	35	59	5	80
KB600	120	65	28	75	5	13	105	35	69	5,5	98
KB1500	155	110	27	80	6	14	120	75	85	5,5	129
KB2000	220	165	32	105	8	17	155	115	121	8,5	184
KB4000	260	200	40	140	10	21	195	145	143	9,5	222
KB7500	310	240	52	155	12	21	215	180	170	14	250

Technical specifications	Unit	KB150	KB300	KB600	KB1500	KB2000	KB4000	KB7500
Max. capacity	kg	150	300	600	1500	2000	4000	7500
Max. rope diameter-Ø	mm	4	4	6	10	12	16	22
Weight	kg	1	1	1,5	3	6,5	11,5	21
Article number	no.	77001760	77001750	77001700	77001710	77001720	77001730	77001740