

# Spur gear hand winch

## 1000 – 1500 kg

### Description of the winch

This spur gear winch is fast, easy and can be mounted on both walls and floors. The free spool option is therefore also available for this winch. In addition to IP54 water resistance, this winch is also available in stainless steel 304.

### Product specifications

- > robust and safe lifting and pulling winch in compliance with EN13157
- > static safety factor 4
- > high efficiency due to spur gear transmission
- > protection classification IP54
- > maintenance free bearings
- > load pressure brake with double ratchet system for safe stable hold of the load in any position
- > cable outlet upwards, downwards or at the left
- > closed gearbox to protect against environmental influence
- > adjustable crank, with ergonomic grip
- > suitable for wall and floor mounting
- > simple and quick attachment
- > paint thickness is 60 - 80 micron in 1 layer and in compliance with DIN/ISO 12944, C1M - RAL 7035 (grey)
- > corrosion resistant



### Options (code)

- zinc-plated finish 6 - 8 micron (EV)
- 2 layers of paint according to C3M (2L)
- stainless steel grade 304 (SST304)
- 2 drum compartment (2D) or multiple up to 8 (XD)
- free-spooling device for pulling applications. To disengage the drum (FS)
- ATEX certified zone 2 and 22 (EX)
  - CE II 3G Ex IIC T4 Gc, -20°C<T amb <+70°C
  - CE II 3D Ex IIIC T135°C Dc, -20°C<T amb <+70°C
- custom options possible - [on request](#)

### Accessories

- steel or stainless steel wire rope ([p. 55](#))
- pulley block ([p. 57](#))

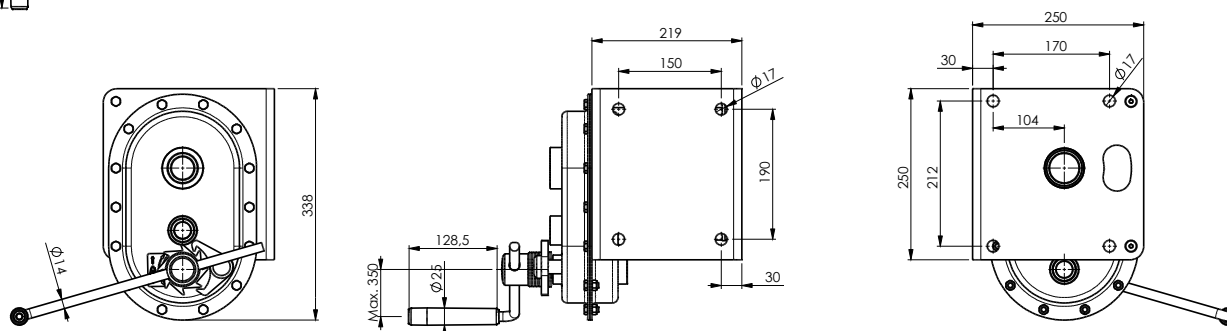
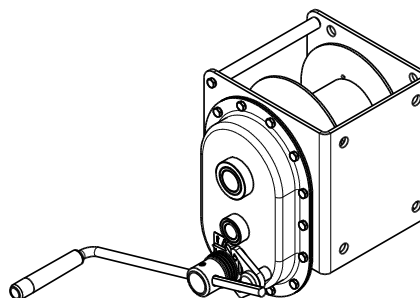
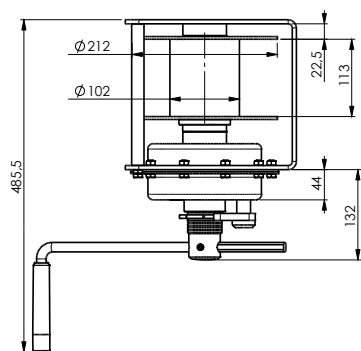
CE   [Product & instruction video on YouTube](#)



Šalounova 746/31  
703 00 Ostrava - Vítkovice  
[www.pavlinek.cz](http://www.pavlinek.cz)

Tel.: +420 595 693 911  
Fax: +420 595 693 958  
E-mail: [obchod@pavlinek.cz](mailto:obchod@pavlinek.cz)

## Technical specifications TL1000-1500



**PAVLÍNEK**  
VÁZACÍ PROSTŘEDKY

Šalounova 746/31  
703 00 Ostrava - Vítkovice  
www.pavlinek.cz

Tel.: +420 595 693 911  
Fax: +420 595 693 958  
E-mail: obchod@pavlinek.cz

Technical specifications	Unit	TL1000	TL1500
Capacity 1st layer	kg	1000	1500
Capacity 4th layer	kg	726	1025
Capacity top layer	kg	614	927
Rope diameter-Ø	mm	8	10
Rope storage 1st layer	m	3,5	2,5
Rope storage 4th layer	m	19,5	15,4
Rope storage top layer	m	33	21
Lift per crank rotation	mm	20	14
Crank effort at full load	daN	11	12
Weight (without rope)	kg	27	27,5
Article number	no.	77141000	77151100