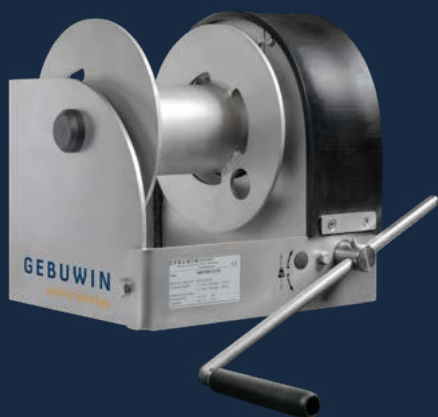


# SST316 worm gear hand winch

500 – 5000 kg



## Description of the hand winch

This stainless steel winch is corrosion resistant and is made of stainless steel 316. The hand winch is IP54 classified which means that it is resistant to splashing water and dust on the inside. In short: a winch for the toughest conditions.

## Product specifications

- > winch suitable for lifting and pulling in compliance with EN13157
- > static safety factor 4
- > load pressure brake with double ratchet system for safe stable hold of the load in any position
- > closed gearbox to protect against environmental influence - protection classification IP54
- > cable outlet upwards, downwards or at rear
- > adjustable crank
- > suitable for wall and (optional) floor mounting
- > full stainless steel 316 body, drum, crank and all outgoing parts
- > corrosion resistant



Šalounova 746/31  
703 00 Ostrava - Vítkovice  
www.pavlinek.cz

Tel.: +420 595 693 911  
Fax: +420 595 693 958  
E-mail: obchod@pavlinek.cz

## Options (code)

- grooved drum (GD)
- 2 drum compartment (2D) or multiple up to 8 (XD)
- suitable for floor mounting (FM)
- suitable for Dyneema rope (DY)
- pressure roller (PR)
- ATEX certified zone 2 and 22 (EX)
  - CE II 3G Ex IIC T4 Gc, -20°C<T amb <+70°C
  - CE II 3D Ex IIIC T135°C Dc, -20°C<T amb <+70°C
- custom options possible - [on request](#)

## Accessories

- steel, stainless steel or fiber rope ([p. 57](#))
- pulley block ([p. 59](#))
- electric or airmotor as from WW1000 ([p. 63](#))



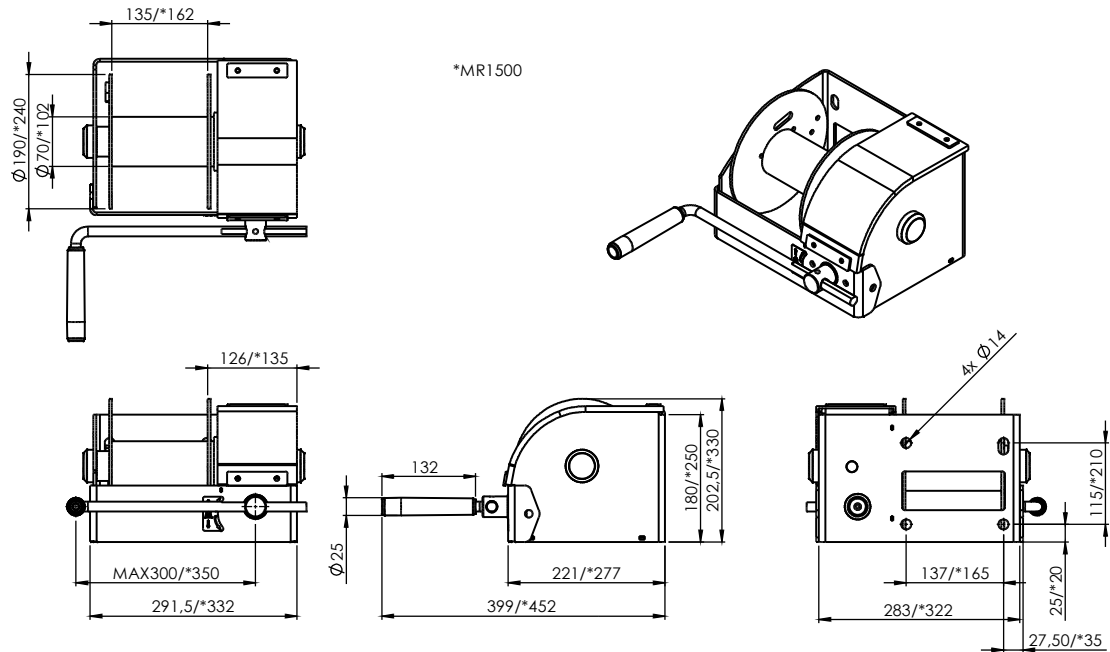
[Product & instruction video on YouTube](#)

**GEBUWIN**  
quality winches

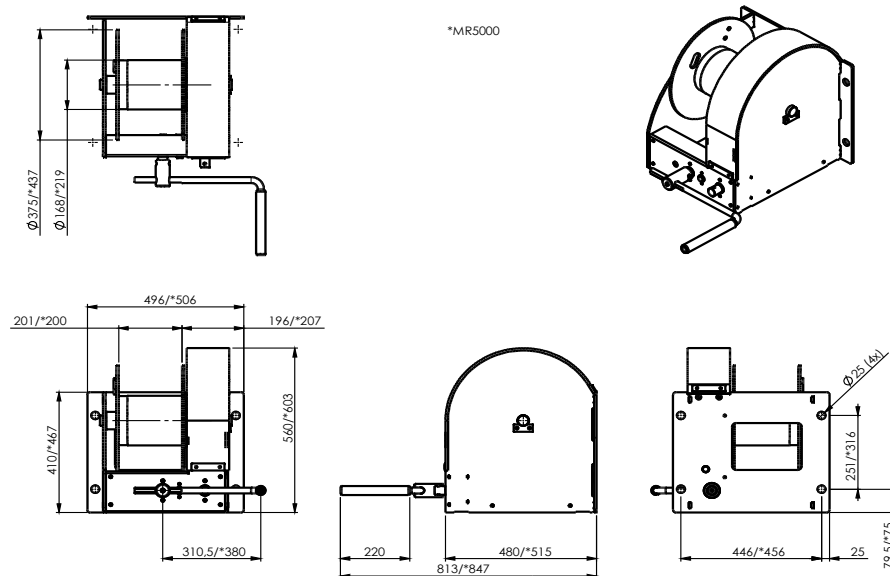
Industrieweg 6, 7102 DZ Winterswijk, The Netherlands  
Telephone: +31(0)543 532600 Email: info@gebuwin.com

For more information, visit: [www.gebuwin.com](http://www.gebuwin.com)

## Technical specifications MR500-1500 SST



## Technical specifications MR3000-5000 SST



Technical specifications	Unit	MR500 SST	MR1500 SST	MR3000 SST	MR5000 SST
Capacity 1st layer	kg	500	1500	3000	5000
Capacity 4th layer	kg	355	1025	2143	3585
Capacity top layer	kg	224	846	1667	3276
Rope diameter-Ø	mm	6	10	14	18
MBL of cable	kN	15	45	90	160
Rope storage 1st layer	m	4,3	4,2	5,7	5,2
Rope storage 4th layer	m	22,8	24	32,5	31,5
Rope storage top layer	m	78,2	41,3	68,7	42,9
Lifting speed (2nd shaft)	m/min	1,2	0,5	0,7 (0,3)	0,8 (0,2)
Crank effort at full load	kg	10	14	31 (14)	73 (15)
Weight (without rope)	kg	16	30	104	135
Article number	no.	77281367	77281882	77277090	77279090