

Beam Clamps



PAVLÍNEK
VÁZACÍ PROSTŘEDKY

EMAIL: OBCHOD@PAVLÍNEK.CZ
TEL: +420 595 693 911
ŠALOUNOVA 746/31, OSTRAVA VÍTKOVICE
IČ: 25358511 DIČ: CZ25358511



IPBK10

The IPBK10 beam clamp is used for lifting, transferring and stacking H-Beams. A ring-center hoist eye allows for the beam flange to remain vertical. This series of clamps can be used in vertical and horizontal moving, transferring and stacking of different types of structural designs, such as H-Beams, angles, etc, depending on the application desired.

For the transfer and stacking of steel beams

- IPVUZ / IPVZ: Available in capacities of 0.75 thru 1.5 metric tons.
- IPVUZ / IPVZ: Jaw openings available: 0 to 20mm
- IPBK10: Available in capacities of 0.5 thru 4 metric tons.
- IPBK10: Jaw openings available: 5 to 28mm
- Welded alloy steel body for strength and smaller size. Forged alloy components, where required.
- Individually Proof Tested to 2 times the Working Load Limit with certification.
- Company name (CrosbyIP), logo, Working Load Limit and jaw opening permanently stamped on body.
- Each product is individually serialized, with the serial number and Proof Load test date stamped on body. User manual with test certificate is included with each clamp.
- Optional IP-5000 Stinger assembly available (see page 428). Allows for easy connection between the clamp and hoist hook.
- Minimum WLL of 10% of Maximum WLL.
- Maintenance and repair kits are available.
- For use with materials with a plate surface hardness to 279HV10, only 5% min WLL is needed.
- Manufactured by an ISO 9001 facility.
- All sizes are RFID EQUIPPED.



IPVUZ

The IPVZ / IPVUZ beam clamp is used for vertical lift and transfer of angle iron and other loads that have only a small gripping area for the clamp ("U" has universal hoisting eye). This series of clamps can be used in vertical and horizontal moving, transferring and stacking of different types of structural designs, such as H-beams, angles, etc, depending on the application desired.

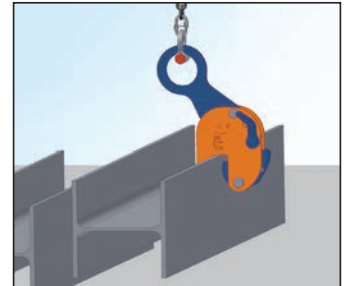
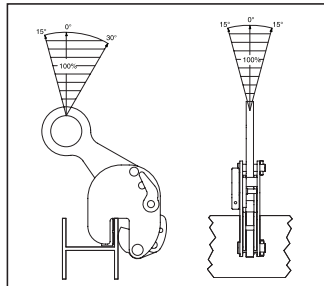
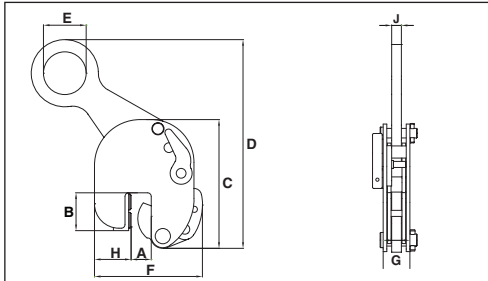


Load Rated

Model IPBK10

Model	Working Load Limit (t)*	IPBK10 Stock No.	Weight Each (kg)	Dimensions (mm)									
				Jaw A	B	C	D	E	F	G	H	J	
0,5 IPBK10	0.5	2703931	2.4	5-15	43	134	216	45	120	48	45	10	
1 IPBK10	1.0	2703837	2.6	5-15	43	152	230	45	123	47	45	10	
2 IPBK10	2.0	2703838	7.3	5-25	62	223	341	70	198	61	70	16	
4 IPBK10	4.0	2703839	16.9	5-28	75	282	431	100	232	78	72	20	

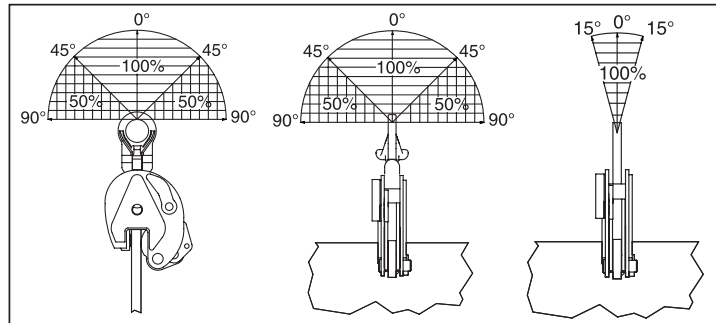
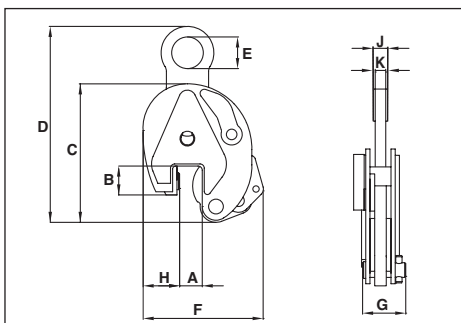
* Design Factor based on EN 13155 and ASME B30.20.



Model IPVUZ: Universal Hoisting Eye / Model IPVZ: Fixed Hoisting Eye

Model	Working Load Limit (t)*	IPUZ Stock No.	Weight Each (kg)	Dimensions (mm)									
				Jaw A	B	C	D	E	F	G	H	K	
IPVUZ	0.75	2705146	1.8	0 - 15	26	130	216	40	115	42	30	11	
IPVUZ	1.5	2705147	6.9	0 - 20	55	200	378	70	200	61	64	16	
Fixed Hoisting Eye													
IPVZ	0.75	2705096	2.1	0 - 15	26	130	203	40	115	42	30	11	
IPVZ	1.5	2705097	5.9	0 - 20	55	200	339	70	180	61	64	16	

* Design Factor based on EN 13155 and ASME B30.20.



Crosby Lifting Clamps